

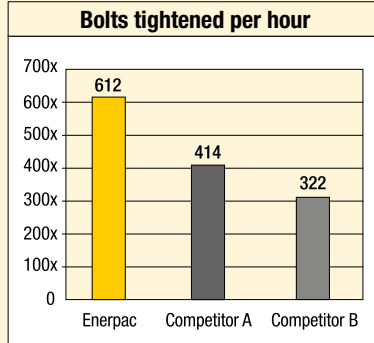


## TQ700 Applications

The TQ700 Series pump is ideal for powering hydraulic wrenches for the Power Generation and Wind Markets.

Bolting speed is more complex than how much flow per minute the pump produces. The key is optimising the flow rate across the entire bolting cycle. With more oil flowing at the right time and at the right volume, you achieve the optimized flow for a hydraulic bolting system.

The result of this optimized flow is more bolts tightened faster and a more productive work team.



Internal laboratory testing based on standard torquing procedure on a pipe flange with 14, 1 1/2" bolts.

## TQ Series



Reservoir Capacity:

**4,0 litres**

Flow at Rated Pressure:

**0,5 l/min**

Motor Size:

**0,75 kW**

Maximum Operating Pressure:

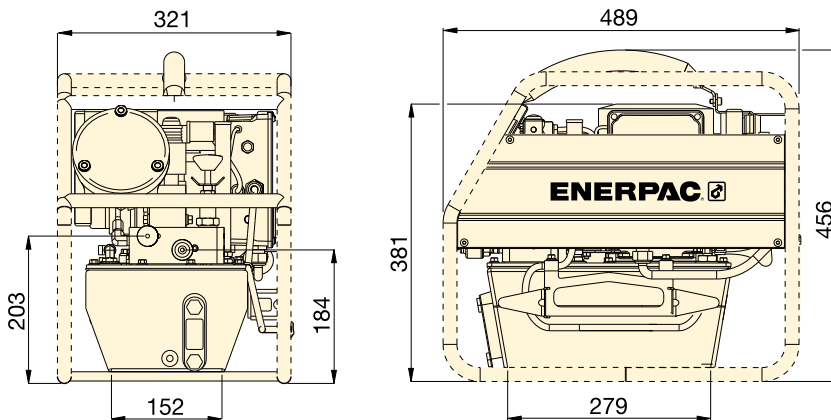
**700 bar**



## Torque Pump Selection Matrix

For optimum speed and performance see the torque pump and hose selection matrix.

Page: 265



For Use with Torque Wrenches	Pressure Rating (bar)	Model Number <sup>1)</sup>	Useable Oil Capacity (litres)	Motor Size (kW)	Motor Electrical Specifications (Volt - Ph - Hz)	Sound Level (dBA)	Weight (kg)
All Series	700	<b>TQ700B</b>	4,0	0,75	115 - 1 - 50/60	82 - 85	31
	700	<b>TQ700E</b> <sup>2)</sup>	4,0	0,75	230 - 1 - 50	82 - 85	30
	700	<b>TQ700I</b> <sup>3)</sup>	4,0	0,75	230 - 1 - 60	82 - 85	30

<sup>1)</sup> All models meet CE safety requirements and all TÜV requirements.

<sup>2)</sup> TQ700E with European plug and CE EMC directive compliant.

<sup>3)</sup> TQ700I with NEMA 6-15 plug.

▼ The TQ700E and the W-Series wrenches are a productive combination.



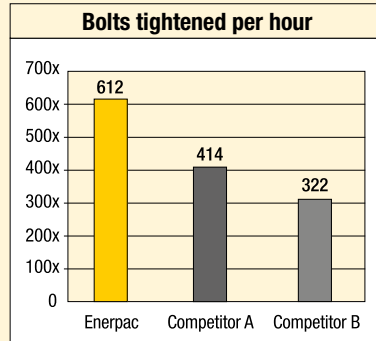


## TQ700 Applications

The TQ700 Series pump is ideal for powering hydraulic wrenches for the Power Generation and Wind Markets.

Bolting speed is more complex than how much flow per minute the pump produces. The key is optimising the flow rate across the entire bolting cycle. With more oil flowing at the right time and at the right volume, you achieve the optimized flow for a hydraulic bolting system.

The result of this optimized flow is more bolts tightened faster and a more productive work team.



Internal laboratory testing based on standard torquing procedure on a pipe flange with 14, 1 1/2" bolts.

## TQ Series



Reservoir Capacity:

**4,0 litres**

Flow at Rated Pressure:

**0,5 l/min**

Motor Size:

**0,75 kW**

Maximum Operating Pressure:

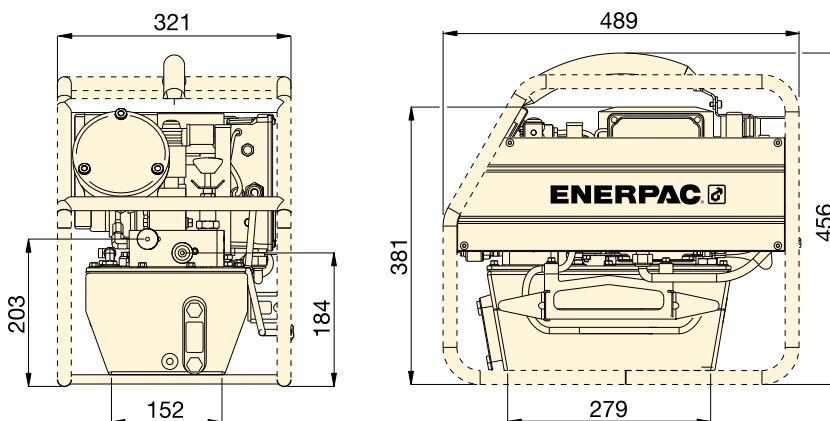
**700 bar**



## Torque Pump Selection Matrix

For optimum speed and performance see the torque pump and hose selection matrix.

Page: 265



For Use with Torque Wrenches	Pressure Rating (bar)	Model Number <sup>1)</sup>	Useable Oil Capacity (litres)	Motor Size (kW)	Motor Electrical Specifications (Volt - Ph - Hz)	Sound Level (dBA)	Weight (kg)
All Series	700	<b>TQ700B</b>	4,0	0,75	115 - 1 - 50/60	82 - 85	31
	700	<b>TQ700E</b> <sup>2)</sup>	4,0	0,75	230 - 1 - 50	82 - 85	30
	700	<b>TQ700I</b> <sup>3)</sup>	4,0	0,75	230 - 1 - 60	82 - 85	30

<sup>1)</sup> All models meet CE safety requirements and all TÜV requirements.

<sup>2)</sup> TQ700E with European plug and CE EMC directive compliant.

<sup>3)</sup> TQ700I with NEMA 6-15 plug.

▼ The TQ700E and the W-Series wrenches are a productive combination.

