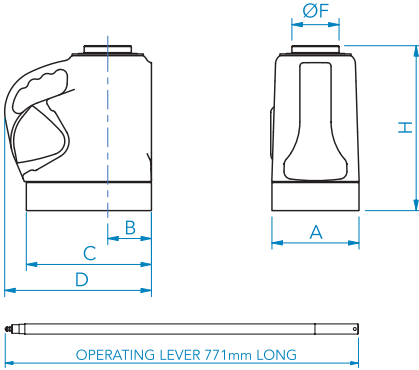


6" PLAIN HYDRALITE



Product Code	PS620	PS630	PS660
Ram Capacity	20 Tonne	30 Tonne	60 Tonne
Oil Capacity	0.64 Litres	0.88 Litres	1.71 Litres
Stroke - mm (ins)	152 (6)	152 (6)	152 (6)
Lift per Stroke - mm (ins)	1.1 (0.042)	0.7 (0.026)	0.3 (0.013)
Weight	10.9 kg	15.4 kg	27.4 kg
Working Pressure	682 bar (9,900 PSI)	644 bar (9,350 PSI)	644 bar (9,350 PSI)
Maximum Effort on Lever	54 kg	52 kg	52 kg
Dimensions	mm (ins)	mm (ins)	mm (ins)
A - Width	121 (4.75)	140 (5.5)	190 (7.5)
B - Centre Ram to Face	60 (2.38)	70 (2.75)	92 (3.625)
C - Base Length	178 (7)	197 (7.75)	251 (9.875)
D - Overall Depth	214 (8.44)	235 (9.25)	286 (11.25)
F - Ram Diameter	60 (2.38)	76 (3)	108 (4.25)
H - Closed Height	263 (10.35)	263 (10.35)	293 (11.562)
Service Kit Number	133506	133511	133518