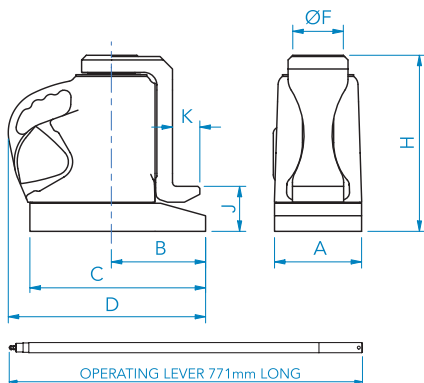


6" CLAW / TOE HYDRALITE



Product Code	PS620C	PS630C	PS660C
Ram Capacity	20 Tonne	30 Tonne	60 Tonne
Claw Capacity	8 Tonne	12 Tonne	24 Tonne
Oil Capacity	0.64 Litres	0.88 Litres	1.71 Litres
Stroke - mm (ins)	152 (6)	152 (6)	152 (6)
Lift per Stroke - mm (ins)	1.1 (0.042)	0.7 (0.026)	0.3 (0.013)
Weight of Jack	10.9 kg	15.4 kg	27.4 kg
Weight of Claw	3.6 kg	4.9 kg	15.7 kg
Working Pressure	682 bar (9,900 PSI)	644 bar (9,350 PSI)	644 bar (9,350 PSI)
Maximum Effort on Lever	54 kg	52 kg	52 kg
Dimensions	mm (ins)	mm (ins)	mm (ins)
A - Width	121 (4.75)	140 (5.5)	190 (7.5)
B - Centre Ram to Face	60 (2.38)	70 (2.75)	92 (3.625)
C - Base Length	178 (7)	197 (7.75)	251 (9.875)
D - Overall Depth	214 (8.44)	235 (9.25)	286 (11.25)
F - Ram Diameter	60 (2.38)	76 (3)	108 (4.25)
H - Closed Height	263 (10.35)	263 (10.35)	293 (11.562)
J - Base to Claw	67 (2.63)	73 (2.875)	73 (2.875)
K - Claw Depth	41 (1.61)	45 (1.77)	48 (1.89)
Service Kit Number	133506	133511	133518