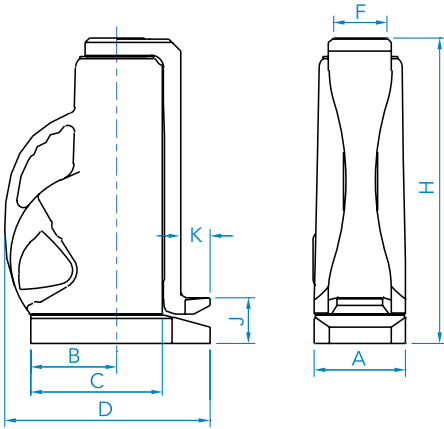


# 12" CLAW / TOE HYDRALITE



Product Code	PS1220C	PS1230C	PS1260C
Ram Capacity	20 Tonne	30 Tonne	60 Tonne
Claw Capacity	8 Tonne	12 Tonne	24 Tonne
Oil Capacity	1.14 Litres	1.71 Litres	2.84 Litres
Stroke - mm (ins)	305 (12)	305 (12)	305 (12)
Lift per Stroke - mm (ins)	1.1 (0.042)	0.7 (0.026)	0.3 (0.013)
Weight of Jack	16.7 kg	23.4 kg	43.7 kg
Weight of Claw	5.5 kg	7.6 kg	21.2 kg
Working Pressure	682 bar (9,900 PSI)	644 bar (9,350 PSI)	644 bar (9,350 PSI)
Maximum Effort on Lever	54 kg	52 kg	52 kg
Dimensions	mm (ins)	mm (ins)	mm (ins)
A - Width	121 (4.75)	140 (5.5)	190 (7.5)
B - Centre Ram to Claw	125 (4.94)	143 (5.625)	181 (7.125)
C - Base Length	246 (9.69)	273 (10.75)	339 (13.375)
D - Overall Depth	289 (11.38)	311 (12.25)	384 (15.375)
F - Ram Diameter	60 (2.38)	76 (3)	108 (4.25)
H - Closed Height	452 (17.88)	470 (18.5)	533 (21)
J - Base to Claw	67 (2.63)	73 (2.875)	73 (2.875)
K - Claw Depth	41 (1.61)	45 (1.77)	48 (1.89)
<b>Service Kit Number</b>	<b>133506</b>	<b>133511</b>	<b>133518</b>