

▼ Shown from left to right: RSM1000, RSM300, RSM50, RCS1002, RCS302



Maximum Power-to-Height Ratio



Saddles

All RCS-Series cylinders have plunger mounting holes for installation of tilt saddles. See table for selection and dimensional information.

Page: 27



Low Clearance Lifting

The LW-Series Lifting Wedges and SOH-Series Machine Lifts are the perfect choice for lifting the first few millimeters.

Page: 182

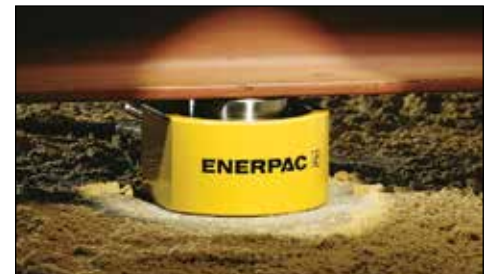
RSM-series, Low-Height Cylinders

- Compact, flat design for use where most other cylinders will not fit
- Single-acting, spring return
- RSM750, 1000 and 1500 have handles for easy carrying
- Mounting holes permit easy fixturing
- Baked enamel finish for increased corrosion resistance
- CR400 coupler and dust cap included on all models¹⁾
- Hard chrome plated high quality steel plungers
- Grooved plunger ends require no saddle.

RCS-series, Low-Height Cylinders

- Lightweight, low profile design for use in confined spaces
- Single-acting, spring return
- Baked enamel finish for increased corrosion resistance
- Plunger wiper reduces contamination, extending cylinder life
- CR400 coupler and dust cap included on all models
- Grooved plunger end with threaded holes for mounting tilt saddles
- Integral handle on RCS1002 for easy carrying
- Plated steel plungers.

▼ Only a couple of centimeters will do for an RSM-cylinder to lift a large construction.

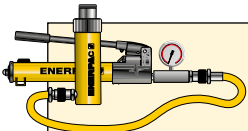


| Cyl. Capacity | Stroke | Model Number | Cylinder Effective Area | Oil Capacity |
|---------------|--------|---------------------|-------------------------|--------------------|
| ton (kN) | (mm) | | (cm ²) | (cm ³) |
| 5 (45) | 6 | RSM50 ¹⁾ | 6,5 | 4 |
| 10 (101) | 11 | RSM100 * | 14,5 | 18 |
| 20 (201) | 11 | RSM200 * | 28,7 | 32 |
| 30 (295) | 13 | RSM300 * | 42,1 | 55 |
| 45 (435) | 16 | RSM500 * | 62,1 | 99 |
| 75 (718) | 16 | RSM750 | 102,6 | 164 |
| 90 (887) | 16 | RSM1000 | 126,7 | 203 |
| 150 (1386) | 16 | RSM1500 | 198,1 | 317 |
| 10 (101) | 38 | RCS101 * | 14,5 | 55 |
| 20 (201) | 45 | RCS201 * | 28,7 | 129 |
| 30 (295) | 62 | RCS302 * | 42,1 | 261 |
| 45 (435) | 60 | RCS502 * | 62,1 | 373 |
| 90 (887) | 57 | RCS1002 * | 126,7 | 722 |

¹⁾ RSM50 is fitted with an AR400 coupler.

* Available as set, see note on next page.

Single-Acting, Low-Height Cylinders



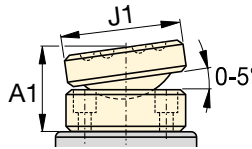
Cylinder-Pump Sets

All cylinders marked with an * are available as sets (cylinder, gauge, couplers, hose and pump) for your ordering convenience.

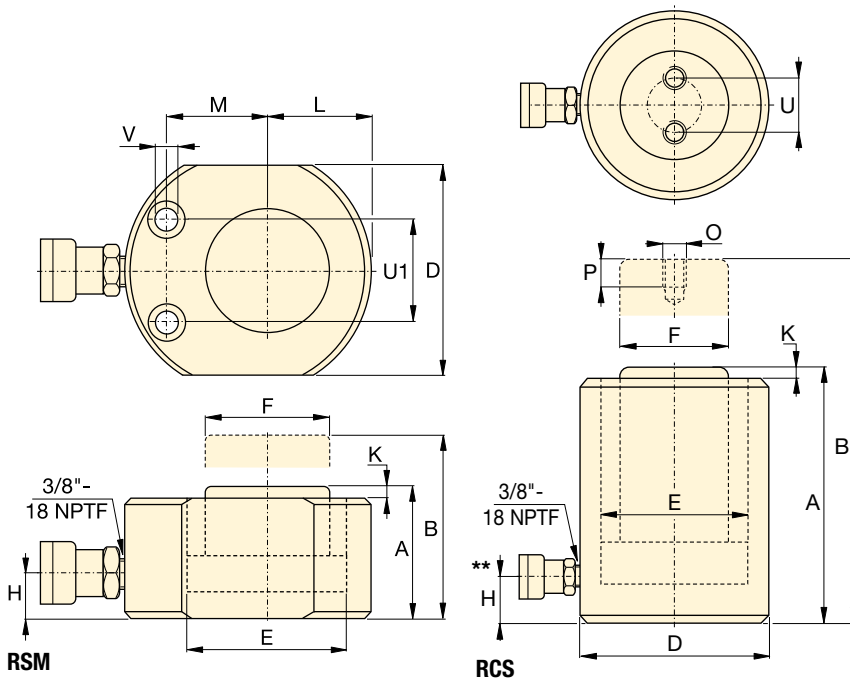
Page: **62**

Optional Bolt On Tilt Saddle Dimensions (mm)

| For Cylinder Model: | Model Number | J1 | A1 * |
|---------------------|--------------|----|------|
| RCS101 | CATS13 | 35 | 20 |
| RCS201, 302, 502 | CATS53 | 50 | 26 |
| RCS1002 | CATS103 | 71 | 35 |



* A1 = Addition to Collapsed Height.



RSM, RCS Series



Capacity:

5 - 150 ton

Stroke:

6 - 62 mm

Maximum Operating Pressure:

700 bar



Power Box

Tool box with hand pump, gauge adaptor assembly, hose and RSM or RCS-cylinders.

Page: **65**

RSM Cylinder Mounting Hole Dimensions (mm)

| Model Number | Bolt Circle U1 | Hole Dia. V | Counter Bore Dia. | Counter Bore Depth |
|--------------|----------------|-------------|-------------------|--------------------|
| RSM50 | 28,5 | 5,5 | 9,1 | 4,3 |
| RSM100 | 36,6 | 7,1 | 10,7 | 7,9 |
| RSM200 | 49,3 | 10,0 | 15,1 | 9,9 |
| RSM300 | 52,3 | 10,0 | 15,9 | 11,2 |
| RSM500 | 66,5 | 11,0 | 19,0 | 12,7 |
| RSM750 | 76,2 | 13,5 | 20,6 | 14,2 |
| RSM1000 | 76,2 | 13,5 | 20,6 | 14,2 |
| RSM1500 | 117,3 | 13,5 | 20,6 | 14,2 |

| Collapsed Height A (mm) | Extended Height B (mm) | Outside Diameter D (mm) | Cylinder Bore Dia. E (mm) | Plunger Dia. F (mm) | Base to Advance Port H (mm) | Plunger Protrusion from Base K (mm) | Plunger to Base L (mm) | Plunger to Mtg. Hole M (mm) | Thread O (mm) | Thread Depth P (mm) | Bolt Circle U (mm) | Weight (kg) | Model Number |
|-------------------------|------------------------|-------------------------|---------------------------|---------------------|-----------------------------|-------------------------------------|------------------------|-----------------------------|---------------|---------------------|--------------------|-------------|---------------------|
| 32 | 38 | 58 x 41 | 28,7 | 25,4 | 16 | 1 | 20 | 22 | - | - | - | 1,0 | RSM50 ¹⁾ |
| 43 | 54 | 82 x 55 | 42,9 | 38,1 | 19 | 1 | 27 | 34 | - | - | - | 1,4 | RSM100 * |
| 51 | 62 | 101 x 76 | 60,5 | 50,8 | 19 | 1 | 39 | 39 | - | - | - | 3,1 | RSM200 * |
| 58 | 71 | 117 x 95 | 73,2 | 63,4 | 19 | 2 | 47 | 44 | - | - | - | 4,5 | RSM300 * |
| 66 | 82 | 140 x 114 | 88,9 | 69,8 | 19 | 2 | 57 | 53 | - | - | - | 6,8 | RSM500 * |
| 79 | 95 | 165 x 139 | 114,3 | 82,6 | 19 | 2 | 69 | 66 | - | - | - | 11,3 | RSM750 |
| 85 | 101 | 178 x 153 | 127,0 | 92,2 | 19 | 2 | 76 | 74 | - | - | - | 14,5 | RSM1000 |
| 100 | 116 | 215 x 190 | 158,8 | 114,3 | 23 | 2 | 95 | 82 | - | - | - | 26,3 | RSM1500 |
| 88 | 126 | 69 | 42,9 | 38,1 | 17 | 5 | - | - | M4 | 8 | 26 | 2,7 | RCS101 * |
| 98 | 143 | 92 | 60,5 | 50,8 | 17 | 3 | - | - | M5 | 8 | 40 | 5,0 | RCS201 * |
| 117 | 179 | 101 | 73,2 | 66,5 | 19 | 3 | - | - | M5 | 8 | 40 | 6,8 | RCS302 * |
| 122 | 182 | 124 | 88,9 | 69,8 | 23 | 2 | - | - | M5 | 8 | 40 | 10,0 | RCS502 * |
| 141 | 198 | 165 | 127,0 | 92,2 | 31 | 1 | - | - | M8 | 10 | 55 | 20,7 | RCS1002 * |

** 5° angle position of coupler on RCS101, 201, 302.