

▼ Shown from left to right: RCH306, RCH120, RCH1003

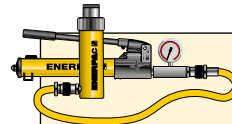


- Hollow plunger design allows for both, pull and push forces
- Single-acting, spring return
- Nickel-plated, floating center tube on models over 20 ton increases product life
- Baked enamel finish for increased corrosion resistance
- Collar threads for easy fixturing
- RCH120 includes AR630 coupler and has 1/4" NPTF port
- RCH121 and RCH1211 have FZ1630 reducer and AR630 coupler, all other models feature CR400 coupler.

▼ Hollow plunger cylinder RCH1003 used in an application for intermediate boom suspension on a dragline.



## Versatility in Testing, Maintenance and Tensioning Applications



### Cylinder-Pump Sets

All cylinders marked with an \* are available as **sets** (cylinder, gauge, couplers, hose and pump) for your ordering convenience.

Page: 62



### Ultra-Lightweight Aluminium Cylinders

If you need a higher cylinder capacity-to-weight-ratio the lightweight **RACH-Series** are the perfect choice.

Page: 16



### Saddles

Most RCH-Series cylinders are equipped with smooth saddles. See table at next page for optional threaded saddles and all dimensional information.

Page: 35

Cylinder Capacity	Stroke	Model Number	Cylinder Effective Area	Oil Capacity
ton (kN)	(mm)		(cm <sup>2</sup> )	(cm <sup>3</sup> )
12 (125)	8	<b>RCH120</b>	17,9	14
	42	<b>RCH121 *</b>	17,9	75
	42	<b>RCH1211</b>	17,9	75
	76	<b>RCH123</b>	17,9	136
20 (215)	49	<b>RCH202 *</b>	30,7	150
	155	<b>RCH206</b>	30,7	476
30 (326)	64	<b>RCH302 *</b>	46,6	298
	155	<b>RCH306</b>	46,6	722
60 (576)	76	<b>RCH603 *</b>	82,3	626
	153	<b>RCH606</b>	82,3	1259
95 (931)	76	<b>RCH1003 *</b>	133,0	1011

\* Available as set, see note on this page.

# Single-Acting, Hollow Plunger Cylinders

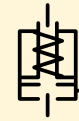


## Hoses

Enerpac offers a complete line of high quality hydraulic hoses. To ensure the integrity of your system, specify only Enerpac hydraulic hoses.

Page: **128**

## RCH Series



Capacity:

**12 - 95 ton**

Stroke:

**8 - 155 mm**

Center Hole Diameter:

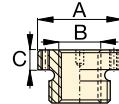
**19,5 - 79,0 mm**

Maximum Operating Pressure:

**700 bar**

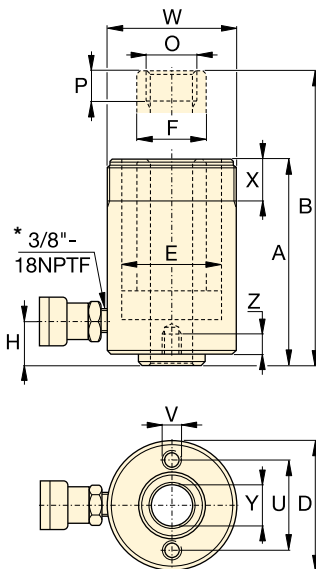
### Optional Threaded Hollow Saddles

Saddle Type	Cylinder Model Number	Saddle Model Nr.	Saddle Dimensions (mm)		
			A	B	C
Threaded Hollow	RCH202, 206	HP2015	53	1" - 8	9
	RCH302, 306	HP3015	63	1¼" - 7	9
	RCH603, 606	HP5016	91	1½" - 5½	12
	RCH1003	HP10016	126	2½" - 8	13



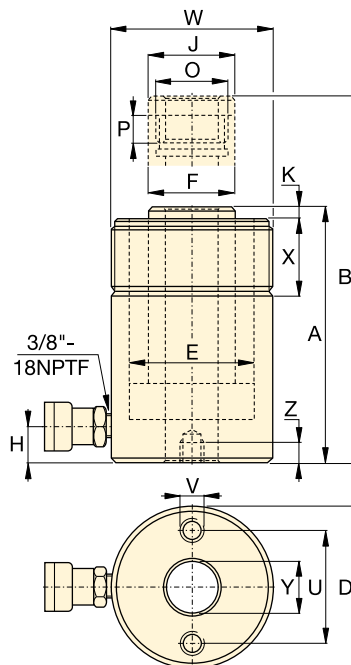
Smooth hollow saddles are standard on all RCH-models (except RCH120, RCH1211).

RCH121 and RCH1211 have a 47 mm dia. boss that protrudes 6 mm from base.



RCH120 to RCH123 models

\* 1/4" NPTF for RCH120 only



RCH202 to RCH1003 models

### Base Mounting Hole Dimensions (mm)

Model Number	Bolt Circle U	Thread V	Thread Depth Z
RCH120	50,8	5/16" - 18 UNC	9,0
RCH121	-	-	-
RCH1211	-	-	-
RCH123	50,8	5/16" - 18 UNC	12,7
RCH202	82,6	3/8" - 16 UNC	9,4
RCH206	82,6	3/8" - 16 UNC	9,4
RCH302	92,2	3/8" - 16 UNC	14,0
RCH306	92,2	3/8" - 16 UNC	14,0
RCH603	130,3	1/2" - 13 UNC	14,0
RCH606	130,3	1/2" - 13 UNC	14,0
RCH1003	177,8	5/8" - 11 UNC	19,0

Coll. Height A (mm)	Ext. Height B (mm)	Outside Dia. D (mm)	Cyl. Bore Dia. E (mm)	Plgr. Dia. F (mm)	Cyl. Base to Advance Port H (mm)	Saddle Dia. J (mm)	Saddle Protrusion from Plgr. K (mm)	Plunger Internal Thread O	Plunger Thread Length P (mm)	Collar Thread W	Collar Thread Length X (mm)	Center Hole Dia. Y (mm)	Weight (kg)	Model Number
55	63	69	54,1	35,1	9	-	-	¾" - 16 UN	16	2¾" - 16	30	19,5	1,5	RCH120
120	162	69	54,1	35,1	25	-	-	-	-	2¾" - 16	30	19,5	2,8	RCH121 *
120	162	69	54,1	35,1	25	-	-	¾" - 16 UN	16	2¾" - 16	30	19,5	2,8	RCH1211
184	260	69	54,1	35,1	25	-	-	-	-	2¾" - 16	30	19,5	4,4	RCH123
162	211	98	73,1	54,1	19	54	9,7	1 9/16" - 16 UN	19	3 7/8" - 12	38	26,9	7,7	RCH202 *
306	461	98	73,1	54,1	25	54	9,7	1 9/16" - 16 UN	19	3 7/8" - 12	38	26,9	14,1	RCH206
178	242	114	88,9	63,5	21	63	9,0	1 13/16" - 16 UN	22	4 1/2" - 12	42	33,3	10,9	RCH302 *
330	485	114	88,9	63,5	25	63	9,0	1 13/16" - 16 UN	22	4 1/2" - 12	42	33,3	21,8	RCH306
247	323	159	123,9	91,9	31	91	12,0	2 3/4" - 16 UN	19	6 1/4" - 12	48	53,8	28,1	RCH603 *
323	476	159	123,9	91,9	31	91	12,0	2 3/4" - 16 UN	19	6 1/4" - 12	48	53,8	35,4	RCH606
254	330	212	165,1	127,0	38	126	12,0	4" - 16 UN	25	8 3/8" - 12	60	79,0	63,0	RCH1003*