

# P-Series, Lightweight Hand Pumps

▼ Shown from top to bottom: P-802, P-842, P-202, P-142



- Lightweight and compact design
- Durable glass-filled nylon reservoir and nylon encapsulated aluminium pump base for maximum corrosion resistance
- Two-speed operation reduces handle strokes by as much as 78% over single speed pumps
- Lower handle effort to minimize operator fatigue
- Integral 4-way valve on P-842 for operation of double-acting cylinders
- Handle lock and lightweight construction for easy carrying
- Large oil capacities to power a wide range of cylinders or tools
- Non-conductive fiberglass handle for improved operator safety
- Internal pressure relief valve for overload protection.

▼ Cylinder-pump set SCR-254H used to support the construction while monitoring pressure and load with the gauge.



## Exclusively from Enerpac



### Cylinder Matching Chart

For help in selecting the correct hand pump for your application, please refer to the Cylinder Matching Chart located in the 'Yellow Pages'.

Page: 266



### Speed Chart

To determine how a specific pump will operate your cylinder, see the Pump-Cylinder Speed Chart in the 'Yellow Pages'.

Page: 273



### Tank Kits:

When a return-to-tank port is required, the Tank Kits provide a 7/16"-20 UN port at the rear of the reservoir.

PC-20	Fits P-141, P-142
PC-25	Fits P-202, P-391, P-392



### Power Box

Portable tool box with P-392 hand pump, gauge adaptor assembly, hose and RC-, RCS, RSM-or WR-Series cylinder.

Page: 61

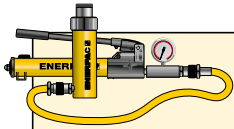
Pump Type	Usable Oil Capacity (cm <sup>3</sup> )	Model Number	Pressure Rating <sup>2)</sup> (bar)		Oil Displacement per Stroke (cm <sup>3</sup> )		Max. Handle Effort (kg)
			1 <sup>st</sup> stage	2 <sup>nd</sup> stage	1 <sup>st</sup> stage	2 <sup>nd</sup> stage	
Single-Speed	327	P-141	-	700	-	0,90	32,7
	901	P-391	-	700	-	2,47	38,6
Two-Speed	327	P-142 <sup>1)</sup>	13	700	3,62	0,90	35,4
	901	P-202	13	700	3,62	0,90	28,6
	901	P-392 <sup>1)</sup>	13	700	11,26	2,47	42,2
	2540	P-802	27	700	39,33	2,47	43,1
	2540	P-842 <sup>3)</sup>	27	700	39,33	2,47	43,1

<sup>1)</sup> Available as set, see note on next page. P-392 also available in Power Box Set (page 61).

<sup>2)</sup> Contact Enerpac for applications where operating pressure is less than 10% of pressure rating.

<sup>3)</sup> P-842 for use with double-acting cylinders

# Lightweight Hand Pumps



## Pump-Cylinder Sets

All pumps marked with an \* are available as sets (pump, cylinder, gauge, couplers and hose) for your ordering convenience.

Page: 58

## P Series



Reservoir Capacity:

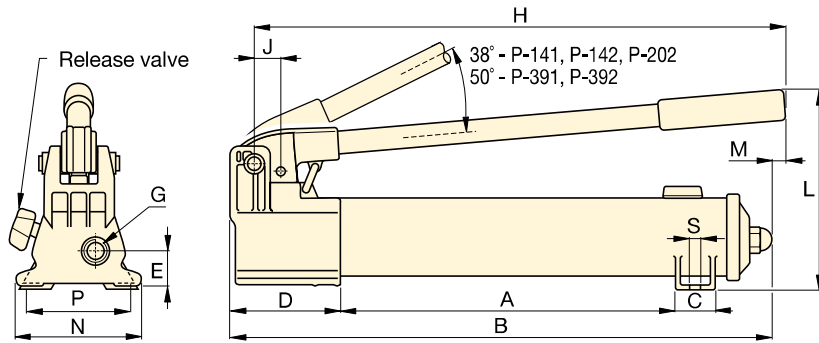
**327 - 2540 cm<sup>3</sup>**

Flow at Rated Pressure:

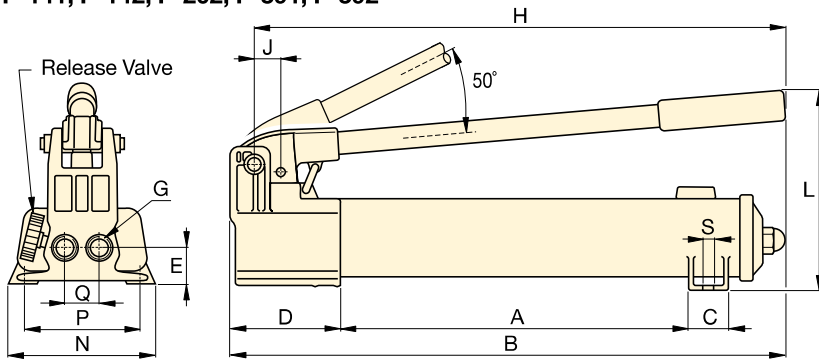
**0,90 - 2,47 cm<sup>3</sup>/stroke**

Operating Pressure:

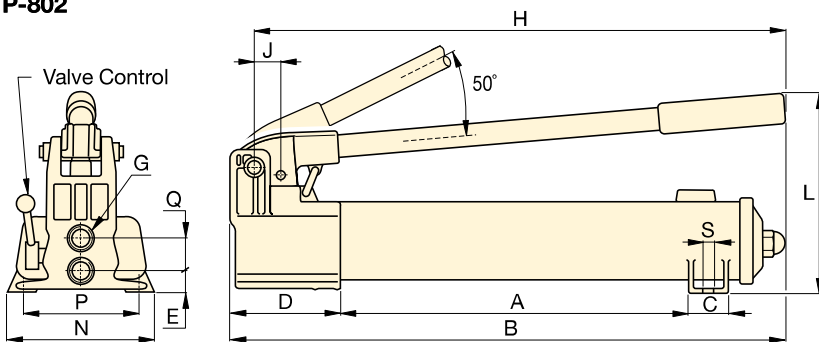
**700 bar**



**P-141, P-142, P-202, P-391, P-392**



**P-802**



**P-842**



## Hoses

Enerpac offers a complete line of high quality hydraulic hoses. To ensure the integrity of your system, specify only genuine Enerpac hydraulic hoses.

Page: 122



## GA45GC Gauge Adaptor

Protect yourself from system overloading by simply ordering one part number for a pre-assembled gauge, adaptor block and coupler.

Page: 134



## Foot Pump P-392FP

For handsfree operation the lightweight and robust P-392FP Foot Pump is the perfect choice.

Page: 79

Piston Stroke	Dimensions (mm)															(kg)	Model Number
	(mm)	A	B	C	D	E	G	H	J	L	M	N	P	Q	S		
12,7	185	336	28	85	28	¼"-18 NPTF	319	19	143	-	95	80	-	7	2,4	<b>P-141</b>	
25,4	344	533	36	99	33	⅜"-18 NPTF	522	30	177	16	120	-	-	-	4,1	<b>P-391</b>	
12,7	185	336	28	85	28	¼"-18 NPTF	319	19	143	-	95	80	-	7	2,4	<b>P-142</b> <sup>1)</sup>	
12,7	344	509	36	85	28	¼"-18 NPTF	400	19	144	16	95	-	-	-	3,4	<b>P-202</b>	
25,4	344	533	36	99	33	⅜"-18 NPTF	522	30	177	16	120	-	-	-	4,1	<b>P-392</b> <sup>1)</sup>	
25,4	337	552	45	133	35	⅜"-18 NPTF	527	30	228	-	181	153	35	10	8,2	<b>P-802</b>	
25,4	337	552	45	133	20	⅜"-18 NPTF	527	30	228	-	181	153	36	10	10,0	<b>P-842</b> <sup>3)</sup>	