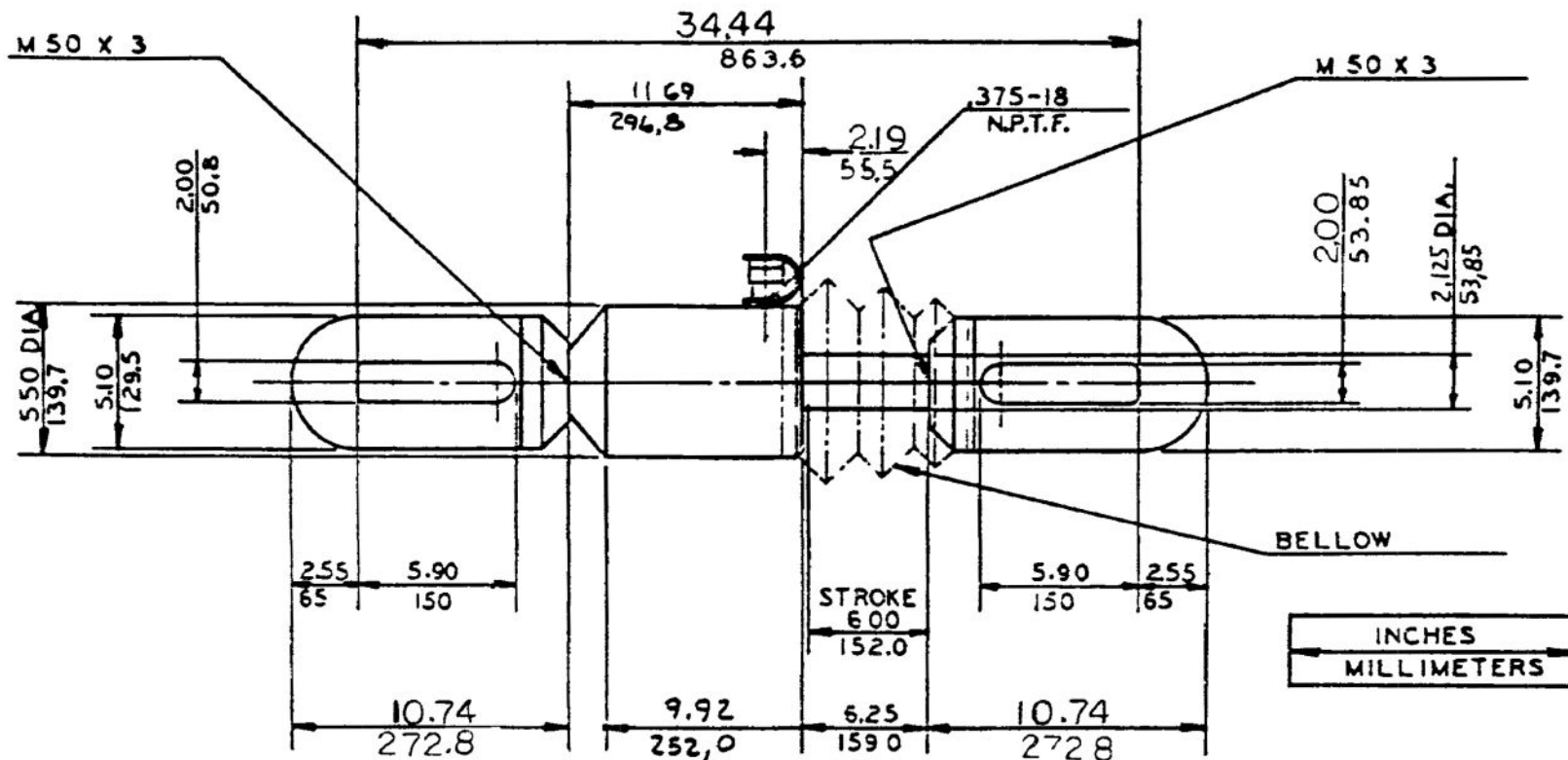


ENERPAC, BUTLER, WISCONSIN 53007 TELEPHONE (414) 781 8800 TELEX 029-882 DIVISION OF APPLIED POWER INDUSTRIES, INC.



STROKE - 6.00 / 152.0

BORE DIA. - 4.33 / 110.0

EFFECTIVE AREA - 11.78 SQ. IN. / 76.0 SQ. CM.

OIL CAPACITY - 71 CU. IN. / 1,163.5 CU. CM.

INTERNAL PRESSURE AT RATED LOAD - 9,340 P.S.I. / 64,397.4 kN/m²

CAPACITY - 55 TONS / 49,896.0 Kg.

SHIPPING WEIGHT: 70 LBS. / 31.75 Kg.

MODEL NO BRP-606-1

D 35239

ID NO 2155

REV. A 4-25-88 E/6372