

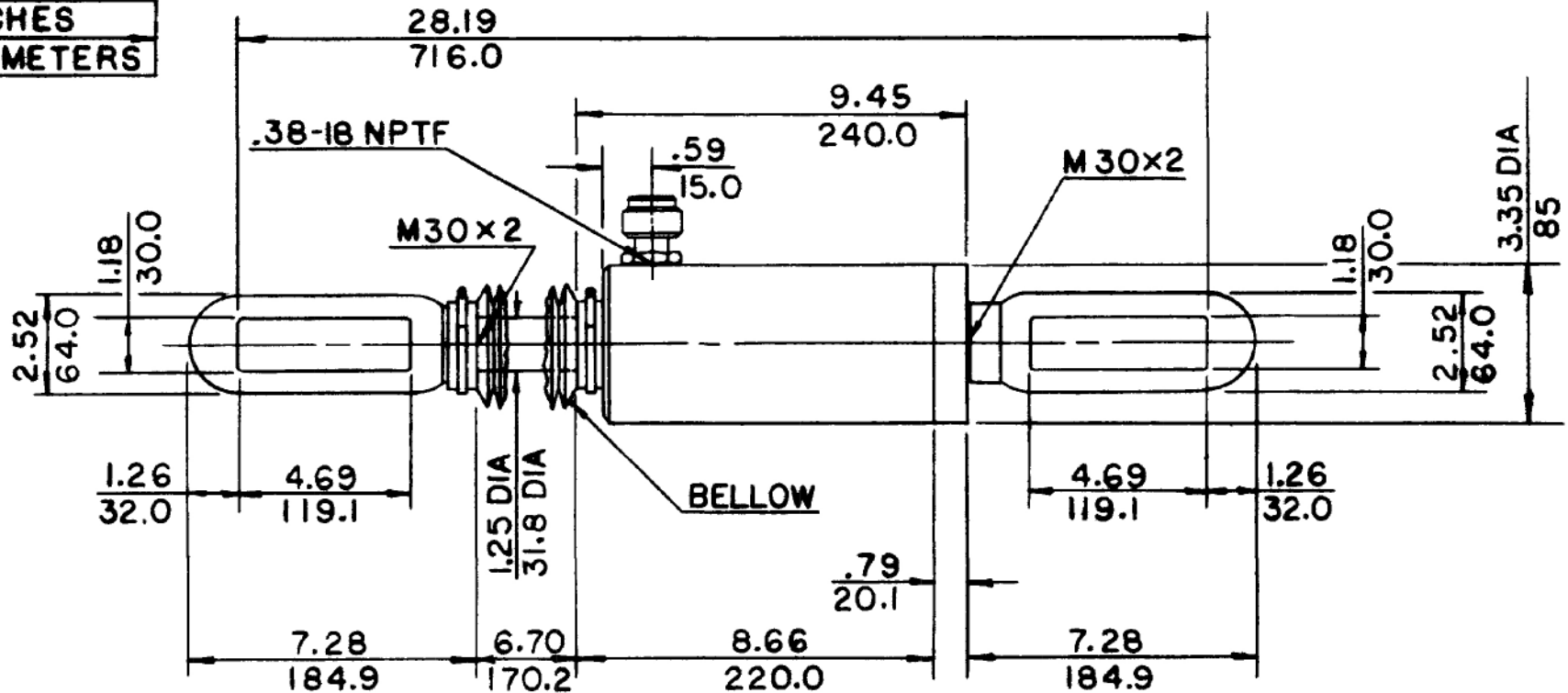
ENERPAC

Specification Sheet

DATE 9-11-78PRODUCT DESCRIPTION 10 TON
PULLPAC

ENERPAC, BUTLER, WISCONSIN 53007 TELEPHONE (414) 781 6600 TELEX 026 682 DIVISION OF APPLIED POWER INDUSTRIES, INC

INCHES
MILLIMETERS

MODEL NO
BRP-106-L

CAPACITY - 10 TONS / 9071.8 kg

STROKE - 6.00 / 152.0

BORE DIA. - 2.125 DIA / 54.0 DIA

EFFECTIVE AREA - 2.31 SQ. IN. / 14.9 SQ. CMS.

OIL CAPACITY - 13.86 CU. IN. / 227.17 CU. CMS.

INTERNAL PRESSURE AT RATED LOAD - 8603 P.S.I. / 59,320.05 kN/m²

WEIGHT - 24 lbs / 11 kg

REV. A

D 34897

ID NO 1620