

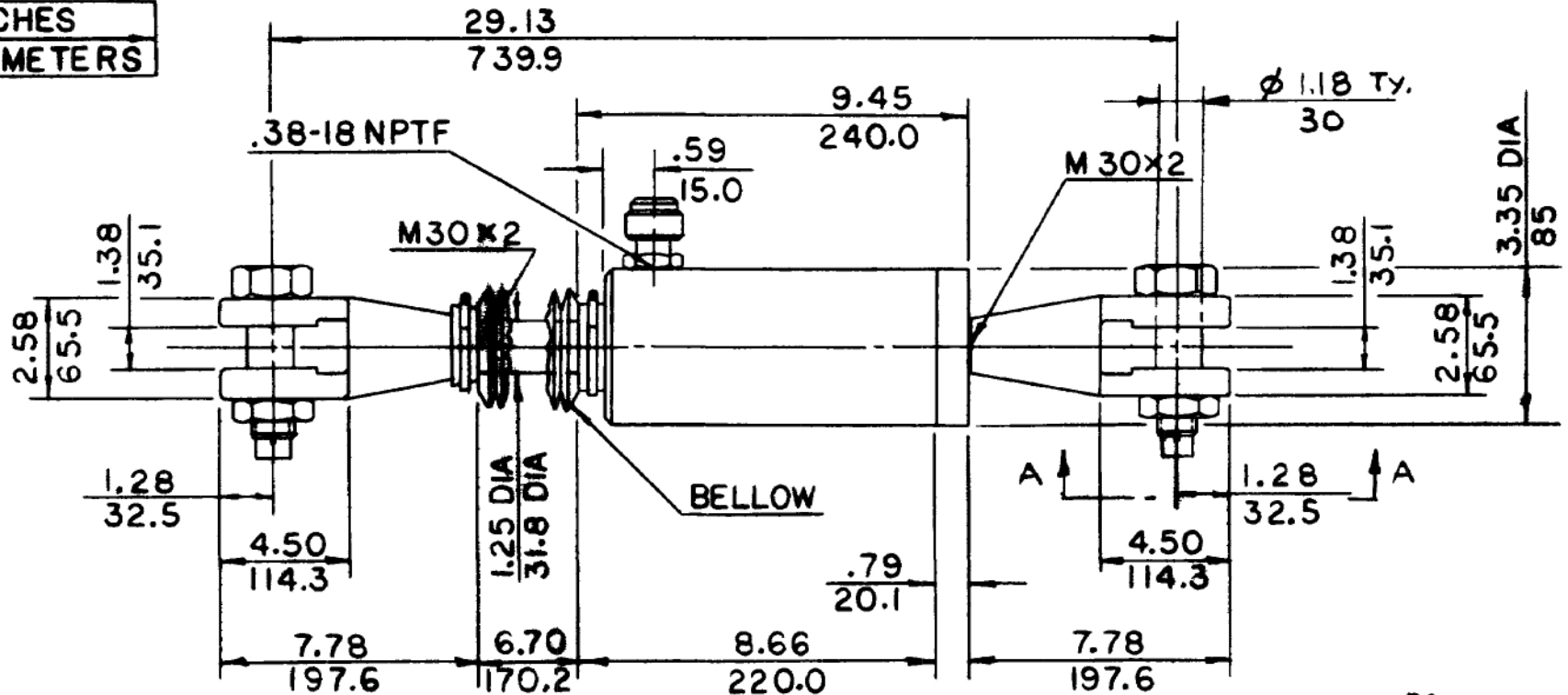
# ENERPAC

## Specification Sheet

DATE 9-12-78

PRODUCT DESCRIPTION 10 TON  
PULL PAC

ENERPAC, BUTLER, WISCONSIN 53007 TELEPHONE (414) 781 6600 TELEX 026 682 DIVISION OF APPLIED POWER INDUSTRIES INC

INCHES  
MILLIMETERS

CAPACITY - 10 TONS / 9071.8 kg

STROKE - 6.00 / 152.0

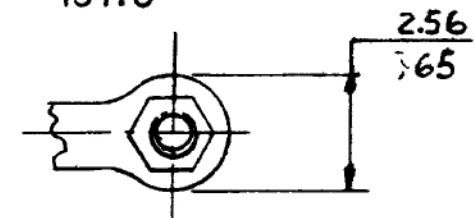
BORE DIA. - 2.125 DIA. / 54.0 DIA.

EFFECTIVE AREA - 2.31 SQ. IN. / 14.9 SQ. CMS.

OIL CAPACITY - 13.86 CU. IN. / 227.17 CU. CMS.

INTERNAL PRESSURE AT RATED LOAD - 8603 P. S. I. / 59,320.05 kN/m<sup>2</sup>

WEIGHT - 35 lbs / 16 kg



A-A

MODEL NO  
BRP-106 C

REV. B

D 34896

ID NO 1619