

P-Series, Lightweight Hand Pumps

▼ Shown from top to bottom: P-802, P-842, P-202, P-142



- Lightweight and compact design
- Durable glass-filled nylon reservoir and nylon encapsulated aluminium pump base for maximum corrosion resistance
- Two-speed operation reduces handle strokes by as much as 78% over single speed pumps
- Lower handle effort to minimize operator fatigue
- Integral 4-way valve on P-842 for operation of double-acting cylinders
- Handle lock and lightweight construction for easy carrying
- Large oil capacities to power a wide range of cylinders or tools
- Non-conductive fiberglass handle for operator safety
- Internal pressure relief valve for overload protection.

▼ Cylinder-pump set SCR-254H used to support the construction while monitoring pressure and load with the gauge.



Exclusively from Enerpac



Cylinder Matching Chart

For help in selecting the correct hand pump for your application, please refer to the Cylinder Matching Chart located in the 'Yellow Pages'.

Page: 242



Speed Chart

To determine how a specific pump will operate your cylinder, see the Pump-Cylinder Speed Chart in the 'Yellow Pages'.

Page: 249



Tank Kits:

When a return-to-tank port is required, the Tank Kits provide a 7/16"-20 UN port at the rear of the reservoir.

PC-20	Fits P-141, P-142
PC-25	Fits P-202, P-391, P-392



High Temperature and Corrosion Resistant Hand Pumps

The P-142 and P-392 hand pumps are available with Viton® seals, stainless steel pistons and anodized aluminium reservoir for use in extreme environments.

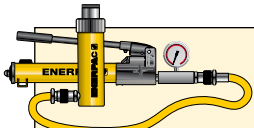
Page: 60

Pump Type	Usable Oil Capacity (cm ³)	Model Number	Pressure Rating** (bar)		Oil Displacement per Stroke (cm ³)		Max. Handle Effort (kg)
			1 st stage	2 nd stage	1 st stage	2 nd stage	
			Single-Speed	327	P-141	-	
	901	P-391	-	700	-	2,47	38,6
Two-Speed	327	P-142*	13	700	3,62	0,90	35,4
	901	P-202	13	700	3,62	0,90	28,6
	901	P-392*	13	700	11,26	2,47	42,2
	2540	P-802	27	700	39,33	2,47	43,1
	2540	P-842	27	700	39,33	2,47	43,1

* Available as set, see note on next page.

** Contact Enerpac for applications where operating pressure is less than 10% of pressure rating.

Lightweight Hand Pumps



Pump-Cylinder Sets

All pumps marked with an * are available as **sets** (pump, cylinder, gauge, couplers and hose) for your ordering convenience.

Page: **62**

P Series



Reservoir Capacity:

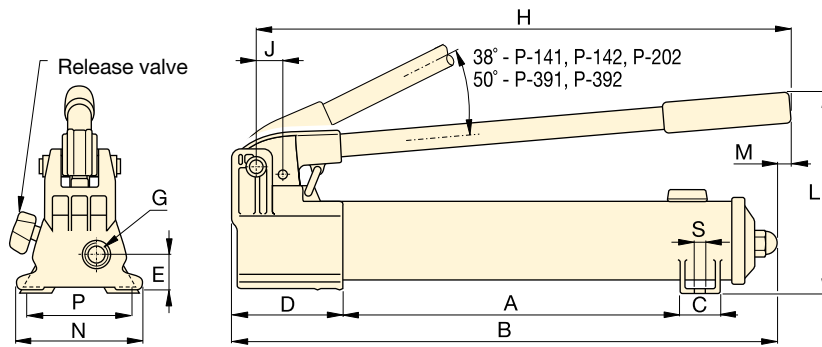
327 - 2540 cm³

Flow at Rated Pressure:

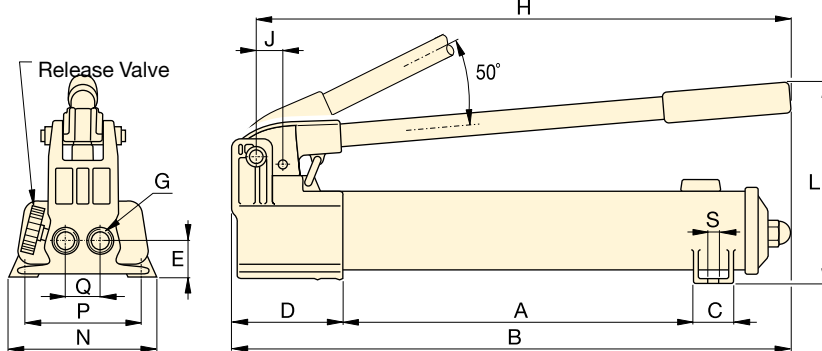
0,90 - 2,47 cm³/stroke

Operating Pressure:

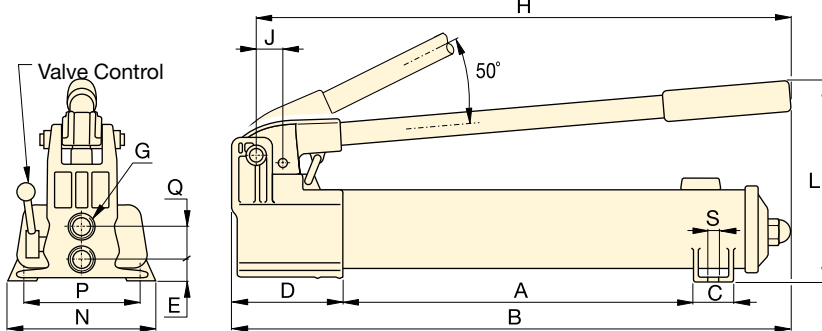
700 bar



P-141, P-142, P-202, P-391, P-392



P-802



P-842



Hoses

Enerpac offers a complete line of high quality hydraulic hoses. To ensure the integrity of your system, specify only genuine Enerpac hydraulic hoses.

Page: **120**



Gauges

Minimize the risk of overloading and ensure long, dependable service from your equipment. Refer to the System Components section for a full range of gauges.

Page: **128**



Foot Pump P-392FP

For handsfree operation the lightweight and robust **P-392FP** Foot Pump is the perfect choice.

Page: **73**

Piston Stroke	Dimensions (mm)															Model Number
	(mm)	A	B	C	D	E	G	H	J	L	M	N	P	Q	S	
12,7	185	336	28	85	28	1/4"-18 NPTF	319	19	143	-	95	80	-	7	2,4	P-141
25,4	344	533	36	99	33	3/8"-18 NPTF	522	30	177	16	120	-	-	-	4,1	P-391
12,7	185	336	28	85	28	1/4"-18 NPTF	319	19	143	-	95	80	-	7	2,4	P-142*
12,7	344	509	36	85	28	1/4"-18 NPTF	400	19	144	16	95	-	-	-	3,4	P-202
25,4	344	533	36	99	33	3/8"-18 NPTF	522	30	177	16	120	-	-	-	4,1	P-392*
25,4	337	552	45	133	35	3/8"-18 NPTF	527	30	228	-	181	120	35	10	8,2	P-802
25,4	337	552	45	133	20	3/8"-18 NPTF	527	30	228	-	181	120	36	10	10,0	P-842