

CLRG-Series, High Tonnage Cylinders

▼ Shown from left to right: CLRG-506, CLRG-5006, CLRG-4006



- Double-acting, for positive retraction
- Integral stop ring provides piston blow-out protection
- Safety valve in retract side of cylinder helps to prevent damage in case of accidental over-pressurization
- Plunger wiper reduces contamination, extending cylinder life
- CR-400 coupler and dust cap included on all models
- Baked enamel finish and plated pistons provide superior corrosion resistance.

▼ *The dismantling of the temporary support towers of Beijing's "Bird's Nest". During the stage lowering process the bird's nest is alternatively supported by CLRG-Series cylinders.*



Double-Acting Power Lifters



Saddles

All CLRG cylinders are equipped with bolt-on removable grooved saddles. For information on optional tilt saddles, see selection chart.

Page: 47



Safety Device

A pilot-operated check valve (V-42) can be inserted between cylinder and pump. This valve provides a safety

lock on the cylinder under load at any position and remote control for unlocking.

Page: 134



Optimum Performance

Enerpac's range of ZU4-Series electric pumps, fitted with manual or solenoid operated 4-way

valves, offer optimum combinations with CLRG cylinders.

Page: 84



Standard Features

- Interchangeable, hardened grooved saddles
 - Top and side mounted lifting eyes
 - CR-400 coupler and dustcap
 - All cylinders meet ASME B-30.1 and ISO 10100 standards.

▼ *Replacing adjustment rolls under a fly-over with CLRG cylinders, for controlled lifting and lowering.*



Double-Acting, High Tonnage Cylinders



RR-series

For higher cycle applications Enerpac RR-Series cylinders are a good alternative.

Page: **32**

▼ QUICK SELECTION CHART

For complete technical information see next page.

Cylinder Capacity ton (kN)	Stroke (mm)	Model Number	Cylinder Effective Area (cm ²)		Oil Capacity (cm ³)		Collapsed Height (mm)
			Push	Pull	Push	Pull	
50 (539)	50	CLRG-502	77,0	38,5	385	192	162
	100	CLRG-504	77,0	38,5	770	385	212
	150	CLRG-506	77,0	38,5	1155	577	262
	200	CLRG-508	77,0	38,5	1540	770	312
	250	CLRG-5010	77,0	38,5	1924	962	362
	300	CLRG-5012	77,0	38,5	2309	1155	412
100 (929)	50	CLRG-1002	132,7	61,9	664	309	179
	100	CLRG-1004	132,7	61,9	1327	619	229
	150	CLRG-1006	132,7	61,9	1991	928	279
	200	CLRG-1008	132,7	61,9	2655	1237	329
	250	CLRG-10010	132,7	61,9	3318	1546	379
	300	CLRG-10012	132,7	61,9	3982	1856	429
150 (1390)	50	CLRG-1502	198,6	96,5	993	482	196
	100	CLRG-1504	198,6	96,5	1986	965	246
	150	CLRG-1506	198,6	96,5	2978	1447	296
	200	CLRG-1508	198,6	96,5	3971	1930	346
	250	CLRG-15010	198,6	96,5	4964	2412	396
	300	CLRG-15012	198,6	96,5	5957	2895	446
200 (1861)	50	CLRG-2002	265,9	127,0	1330	635	212
	150	CLRG-2006	265,9	127,0	3989	1905	312
	300	CLRG-20012	265,9	127,0	7977	3809	462
250 (2565)	50	CLRG-2502	366,4	152,6	1832	763	235
	150	CLRG-2506	366,4	152,6	5497	2289	335
	300	CLRG-25012	366,4	152,6	10993	4578	485
300 (3193)	50	CLRG-3002	456,2	151,4	2281	757	322
	150	CLRG-3006	456,2	151,4	6843	2270	422
	300	CLRG-30012	456,2	151,4	13685	4541	572
400 (3919)	50	CLRG-4002	559,9	193,5	2800	967	374
	150	CLRG-4006	559,9	193,5	8399	2902	474
	300	CLRG-40012	559,9	193,5	16797	5804	624
500 (5114)	50	CLRG-5002	730,6	247,6	3653	1238	419
	150	CLRG-5006	730,6	247,6	10959	3713	519
	300	CLRG-50012	730,6	247,6	21918	7427	669
600 (5987)	50	CLRG-6002	855,3	295,4	4276	1477	429
	150	CLRG-6006	855,3	295,4	12829	4431	529
	300	CLRG-60012	855,3	295,4	25659	8862	679
800 (8234)	50	CLRG-8002	1176,3	387,0	5881	1935	484
	150	CLRG-8006	1176,3	387,0	17644	5806	584
	300	CLRG-80012	1176,3	387,0	35288	11611	734
1000 (10260)	50	CLRG-10002	1465,7	541,7	7329	2709	564
	150	CLRG-10006	1465,7	541,7	21986	8126	664
	300	CLRG-100012	1465,7	541,7	43972	16252	814

CLRG Series



Capacity:

50 - 1000 ton

Stroke:

50 - 300 mm

Maximum Operating Pressure:

700 bar



Pump Selection

A double-acting cylinder must be powered by a pump with a 4-way valve.

Page: **84**



Higher Capacities

1500 and 2000 ton models are available on request.

Additional Stroke Lengths

Models above 150 ton are also available with standard stroke lengths of 100, 200 and 250 mm. Please contact Enerpac for ordering information.



Optional features

To add optional features to your cylinders, add the following suffixes to the end of the model number.

Collar thread *	E002
Plunger thread	E003
Collar * and plunger thread	E005

* On 400 ton and higher

Example:

- For CLRG-5006 cylinder with collar thread, order: **CLRG-5006E002**

Technical specifications for these features are available from Enerpac.

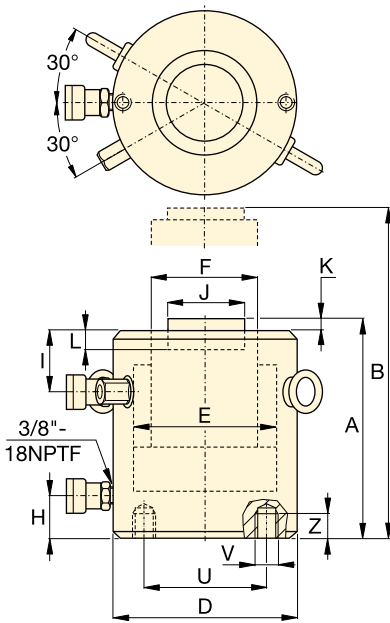
CLRG-Series, High Tonnage Cylinders



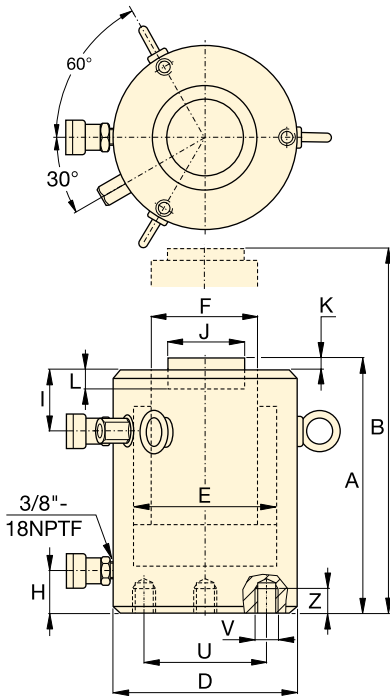
Mounting Hole Orientation

Top mounting hole orientation is maintained to port location. Base mounting hole orientation is not maintained to port location.

◀ For full features see previous page.



CLRG-502 - CLRG-15012



CLRG-2002 - CLRG-100012

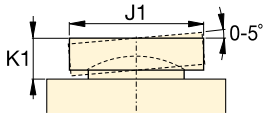
Base Mounting Hole ¹⁾ Dimensions (mm)			
Model / Capacity ton	Bolt Circle U	Thread Size V	Min. Thread Depth Z
CLRG-50	65	2x M12	22
CLRG-100	95	2x M12	22
CLRG-150	130	2x M12	22
CLRG-200	165	3x M12	22
CLRG-250	190	3x M12	22
CLRG-300	180	3x M16	30
CLRG-400	205	3x M16	30
CLRG-500	250	3x M24	36
CLRG-600	275	3x M24	36
CLRG-800	330	3x M24	36
CLRG-1000	375	3x M24	36

Cylinder Capacity (ton)	Stroke (mm)	Model Number	Maximum Cylinder Capacity (kN)		Cylinder Effective Area (cm ²)		Oil Capacity (cm ³)	
			Push	Pull	Push	Pull	Push	Pull
50	50	CLRG-502	539	269	77,0	38,5	385	192
	100	CLRG-504	539	269	77,0	38,5	770	385
	150	CLRG-506	539	269	77,0	38,5	1155	577
	200	CLRG-508	539	269	77,0	38,5	1540	770
	250	CLRG-5010	539	269	77,0	38,5	1924	962
	300	CLRG-5012	539	269	77,0	38,5	2309	1155
100	50	CLRG-1002	929	433	132,7	61,9	664	309
	100	CLRG-1004	929	433	132,7	61,9	1327	619
	150	CLRG-1006	929	433	132,7	61,9	1991	928
	200	CLRG-1008	929	433	132,7	61,9	2655	1237
	250	CLRG-10010	929	433	132,7	61,9	3318	1546
	300	CLRG-10012	929	433	132,7	61,9	3982	1856
150	50	CLRG-1502	1390	675	198,6	96,5	993	482
	100	CLRG-1504	1390	675	198,6	96,5	1986	965
	150	CLRG-1506	1390	675	198,6	96,5	2978	1447
	200	CLRG-1508	1390	675	198,6	96,5	3971	1930
	250	CLRG-15010	1390	675	198,6	96,5	4964	2412
	300	CLRG-15012	1390	675	198,6	96,5	5957	2895
200	50	CLRG-2002	1861	889	265,9	127,0	1330	635
	150	CLRG-2006	1861	889	265,9	127,0	3989	1905
	300	CLRG-20012	1861	889	265,9	127,0	7977	3809
250	50	CLRG-2502	2565	1068	366,4	152,6	1832	763
	150	CLRG-2506	2565	1068	366,4	152,6	5497	2289
	300	CLRG-25012	2565	1068	366,4	152,6	10993	4578
300	50	CLRG-3002	3193	1060	456,2	151,4	2281	757
	150	CLRG-3006	3193	1060	456,2	151,4	6843	2270
	300	CLRG-30012	3193	1060	456,2	151,4	13685	4541
400	50	CLRG-4002	3919	1354	559,9	193,5	2800	967
	150	CLRG-4006	3919	1354	559,9	193,5	8399	2902
	300	CLRG-40012	3919	1354	559,9	193,5	16797	5804
500	50	CLRG-5002	5114	1733	730,6	247,6	3653	1238
	150	CLRG-5006	5114	1733	730,6	247,6	10959	3713
	300	CLRG-50012	5114	1733	730,6	247,6	21918	7427
600	50	CLRG-6002	5987	2068	855,3	295,4	4276	1477
	150	CLRG-6006	5987	2068	855,3	295,4	12829	4431
	300	CLRG-60012	5987	2068	855,3	295,4	25659	8862
800	50	CLRG-8002	8234	2709	1176,3	387,0	5881	1935
	150	CLRG-8006	8234	2709	1176,3	387,0	17644	5806
	300	CLRG-80012	8234	2709	1176,3	387,0	35288	11611
1000	50	CLRG-10002	10260	3792	1465,7	541,7	7329	2709
	150	CLRG-10006	10260	3792	1465,7	541,7	21986	8126
	300	CLRG-100012	10260	3792	1465,7	541,7	43972	16252

¹⁾ Base mounting holes are random positioned in regard to coupler position.

Double-Acting, High Tonnage Cylinders

* Optional Tilt Saddle



Capacity:

50 - 1000 ton

Stroke:

50 - 300 mm

Maximum Operating Pressure:

700 bar

CLRG Series



Collaps. Height	Extend. Height	Outside Dia.	Cyl. Bore Dia. E	Plunger Dia. F	Base to Advance Port H	Top to Retract Port I	Standard Saddle Dia. J	Saddle Protr. from Plgr. K	Depth of Plunger Hole L	Weight (kg)	Model Number	Optional Tilt Saddle *		
												Saddle Dia. J1 (mm)	Saddle Height K1 (mm)	Saddle Model Number
162	212	130	99	70	52	33	50	1	19	17	CLRG-502	50	24	CATG-50
212	312	130	99	70	52	33	50	1	19	20	CLRG-504	50	24	CATG-50
262	412	130	99	70	52	33	50	1	19	23	CLRG-506	50	24	CATG-50
312	512	130	99	70	52	33	50	1	19	27	CLRG-508	50	24	CATG-50
362	612	130	99	70	52	33	50	1	19	31	CLRG-5010	50	24	CATG-50
412	712	130	99	70	52	33	50	1	19	34	CLRG-5012	50	24	CATG-50
179	229	165	130	95	54	48	75	1	19	29	CLRG-1002	73	29	CATG-100
229	329	165	130	95	54	48	75	1	19	34	CLRG-1004	73	29	CATG-100
279	429	165	130	95	54	48	75	1	19	40	CLRG-1006	73	29	CATG-100
329	529	165	130	95	54	48	75	1	19	46	CLRG-1008	73	29	CATG-100
379	629	165	130	95	54	48	75	1	19	52	CLRG-10010	73	29	CATG-100
429	729	165	130	95	54	48	75	1	19	58	CLRG-10012	73	29	CATG-100
196	246	205	159	114	61	56	94	1	19	39	CLRG-1502	91	31	CATG-150
246	346	205	159	114	61	56	94	1	19	52	CLRG-1504	91	31	CATG-150
296	446	205	159	114	61	56	94	1	19	65	CLRG-1506	91	31	CATG-150
346	546	205	159	114	61	56	94	1	19	78	CLRG-1508	91	31	CATG-150
396	646	205	159	114	61	56	94	1	19	92	CLRG-15010	91	31	CATG-150
446	746	205	159	114	61	56	94	1	19	105	CLRG-15012	91	31	CATG-150
212	262	235	184	133	67	66	113	1	24	55	CLRG-2002	118	35	CATG-200
312	462	235	184	133	67	66	113	1	24	91	CLRG-2006	118	35	CATG-200
462	762	235	184	133	67	66	113	1	24	146	CLRG-20012	118	35	CATG-200
235	285	275	216	165	73	78	145	1	24	89	CLRG-2502	144	46	CATG-250
335	485	275	216	165	73	78	145	1	24	136	CLRG-2506	144	46	CATG-250
485	785	275	216	165	73	78	145	1	24	207	CLRG-25012	144	46	CATG-250
322	372	310	241	197	101	75	177	1	19	184	CLRG-3002	160	62	CATG-300
422	572	310	241	197	101	75	177	1	19	232	CLRG-3006	160	62	CATG-300
572	872	310	241	197	101	75	177	1	19	303	CLRG-30012	160	62	CATG-300
374	424	350	267	216	114	105	196	3	27	270	CLRG-4002	193	51	CATG-400
474	624	350	267	216	114	105	196	3	27	330	CLRG-4006	193	51	CATG-400
624	924	350	267	216	114	105	196	3	27	421	CLRG-40012	193	51	CATG-400
419	469	400	305	248	114	135	228	3	27	401	CLRG-5002	228	63	CATG-500
519	669	400	305	248	114	135	228	3	27	480	CLRG-5006	228	63	CATG-500
669	969	400	305	248	114	135	228	3	27	599	CLRG-50012	228	63	CATG-500
429	479	430	330	267	114	135	247	3	27	474	CLRG-6002	241	76	CATG-600
529	679	430	330	267	114	135	247	3	27	565	CLRG-6006	241	76	CATG-600
679	979	430	330	267	114	135	247	3	27	701	CLRG-60012	241	76	CATG-600
484	534	505	387	317	149	135	297	3	27	741	CLRG-8002	287	75	CATG-800
584	734	505	387	317	149	135	297	3	27	868	CLRG-8006	287	75	CATG-800
734	1034	505	387	317	149	135	297	3	27	1058	CLRG-80012	287	75	CATG-800
564	614	560	432	343	174	170	323	3	27	1062	CLRG-10002	311	93	CATG-1000
664	814	560	432	343	174	170	323	3	27	1213	CLRG-10006	311	93	CATG-1000
814	1114	560	432	343	174	170	323	3	27	1439	CLRG-100012	311	93	CATG-1000