

WH UBC Universal Beam Clamp

Manufactured in accordance with BS EN13155: 2003 + A2: 2009 - Cranes - Safety – Non Fixed Load Lifting Attachments.

The William Hackett Universal Beam Clamp has been designed for vertical use, and side load applications, where conventional clamps are not.

The Universal Beam Clamp is suitable for pulling and lifting at angles across the beam or as a semi-permanent anchor point.

It can be **loaded at any angle** and eliminates the use of spreader beams in various lifting operations.

Fitted with an adjustable locking mechanism, ensuring secure clamping to the beam.

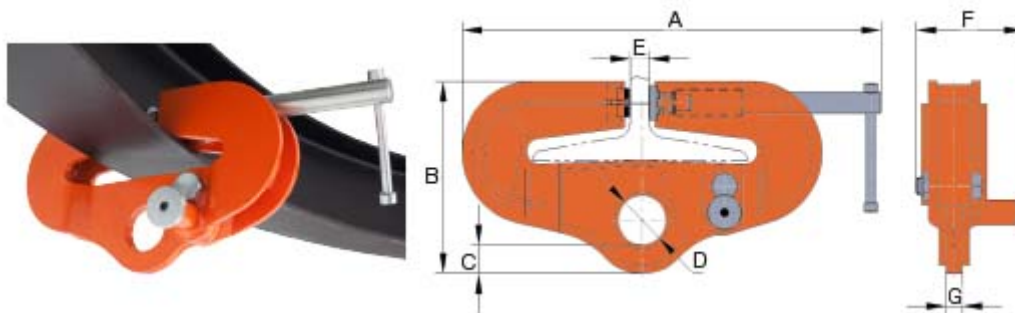
Built-in suspension point for low headroom design.

Lightweight design allowing for quick clamping and unclamping.

Our 10.0 tonne extra wide clamp is designed to accommodate a range of beam widths and thicknesses.



Specifications



Part Code	WLL tonnes	A mm	B mm	C mm	D mm	E mm	F mm	G mm	Beam Thickness mm	Beam Width mm	Mass kg
028.200	2.0	450.0	203	22.5	Ø58	32.5	118	16	25.4	76-204	9.5
028.320	3.2	550.0	235	28.0	Ø60	33.0	133	20	25.4	125-204	14.7
028.500	5.0	618.5	270	37.5	Ø75	36.0	157	24	25.4	125-305	28.3
028.1000	10.0	618.5	270	35.0	Ø80	36.0	225	44	25.4	125-305	37.8
028.1000.E	10.0	700.0	298	38.0	Ø80	70.0	230	44	40.0	225-405	47.0