

▼ Shown from left to right: GF-230B, GF-835B, GP-10S



- **GF-series gauges:** calibrated with dual scale reading for pressure (bar) and force (kN)
- **GF-series gauges:** all pressure sensing parts are sealed and dampened by glycerine for long life
- **GP-series gauges:** calibrated with dual scale reading for pressure in bar and psi
- **Excellent readability:** gauge face dimensions 100 mm
- **Fast, easy installation**
- **Stainless steel gauge cases for corrosion resistance.**

▼ A GP-10S gauge is used on this press to check the hydraulic pressure required to bend flat steel bar.



## Visual Reference for System Pressure and Force



### Auto-Damper Valve V-10

For automatic control of gauge fluctuations, the V-10 Auto-Damper Valve controls the movement of the gauge needle

by restricting oil flow in and out of the gauge. No adjustments needed.

Page: 136



### Snubber Valve V-91

Infinitely adjustable for metering oil out of a gauge. The V-91 Snubber Valve is also suitable as a shut-off valve to protect the gauge during

high cycle applications.

Page: 136

### Used With

	All cylinders
	All cylinders
	5 ton RC, RSM-cylinders
	10 ton RC, RCS, RSM-cylinders
	All 25 ton RC-cylinders
	All 50 ton RC, RR-cylinders
	13 ton RCH-Series
	RCS-201, 302
	RCS-502, 1002
	RCH-202, 302, 603
	25, 30, 50 ton RC, RCS, RSM, RR
	75 and 95 ton RC, RR-cylinders
	150 and 200 ton RR-cylinders
	10 ton VLP Presses
25 ton XLP Presses	
50 ton XLP, BPR Presses	
100 ton VLP, BPR Presses	
200 ton VLP, BPR Presses	

# Hydraulic Force & Pressure Gauges



### Maximum Indicator Pointer

Indicator retains peak readings of pressure or force generated by the system.

Can easily be installed on GP and H-Series gauges.  
Order model nr: **BSA-881**.



### Pressure Gauges

To measure the input pressure into cylinders or high pressure systems. Also for all testing applications.

### Force Gauges

To measure external load supported by a cylinder or jack in kN. For pressing parts together under pre-determined loads, weighing, testing, etc.

**GP-Series** are dry gauges.

**GF-Series** are glycerine filled gauges.

## GF GP Series



Pressure Range:

**0 - 1000 bar**

Force Range:

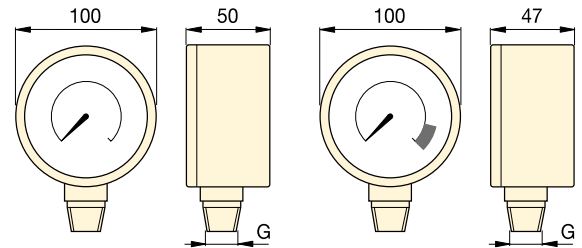
**0 - 2000 kN**

Gauge Face Diameter:

**100 mm**




Accuracy, % of full scale:

**± 1%**



GP-serie

GF-serie

Gauge Type and Calibration				Units per Division	Model Number *	Thread G	Gauge Adaptor		
							 135		
bar	psi	bar	kN				Required		
							GA-1	GA-2	GA-3
0-700	0-10.000	-	-	10 bar, 100 psi	<b>GP-10S</b>	1/2" NPTF	●	●	
0-1000	0-15.000	-	-	10 bar, 200 psi	<b>GP-15S</b>	1/2" NPTF	●	●	
-	-	0-700	0-45	10 bar, 0,5 kN	<b>GF-5B</b>	1/2" NPTF	●	●	
-	-	0-700	0-100	10 bar, 1 kN	<b>GF-10B</b>	1/2" NPTF	●	●	
-	-	0-700	0-232	10 bar, 2 kN	<b>GF-20B</b>	1/2" NPTF	●	●	
-	-	0-700	0-500	10 bar, 5 kN	<b>GF-50B</b>	1/2" NPTF	●	●	
-	-	0-700	0-124	10 bar, 1 kN	<b>GF-120B</b>	1/2" NPTF	●	●	
-	-	0-700	0-175/275	10 bar, 2 + 5 kN	<b>GF-230B</b>	1/2" NPTF	●	●	
-	-	0-700	0-450/900	10 bar, 5 + 10 kN	<b>GF-510B</b>	1/2" NPTF	●	●	
-	-	0-700	0-210/320/570	10 bar, 5 kN	<b>GF-813B</b>	1/4" NPTF			●
-	-	0-700	0-232/300/500	10 bar, 5 kN	<b>GF-835B</b>	1/4" NPTF			●
-	-	0-700	0-720/930	10 bar, 10 kN	<b>GF-871B</b>	1/4" NPTF			●
-	-	0-700	0-1400/2000	10 bar, 25 kN	<b>GF-200B</b>	1/4" NPTF			●
-	-	0-700	0-100	10 bar, 1 kN	<b>GF-10B</b>	1/2" NPTF	●	●	
-	-	0-700	0-232	10 bar, 2 kN	<b>GF-20B</b>	1/2" NPTF	●	●	
-	-	0-700	0-500	10 bar, 5 kN	<b>GF-50B</b>	1/2" NPTF	●	●	
-	-	0-700	0-720/930	10 bar, 10 kN	<b>GF-871B</b>	1/4" NPTF			●
-	-	0-700	0-1400/2000	10 bar, 25 kN	<b>GF-200B</b>	1/4" NPTF			●

\* GF-Series Force gauges with imperial scale reading (psi, lbs) are available by changing the suffix 'B' into 'P'.

▼ Shown from left to right: H4049L, G-2534R, G-4089L, G-2535L, G-4040L



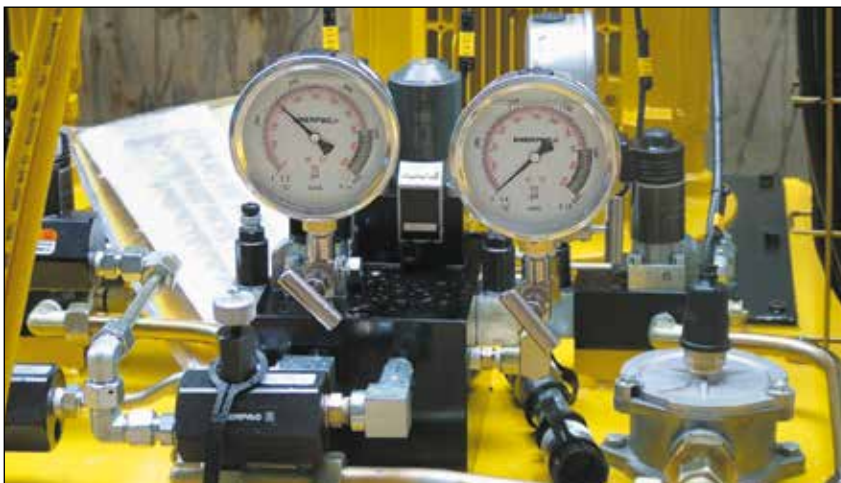
## Visual Reference of System Pressure

### Glycerine Filled (G-Series)

- Dual scale reading calibrated in bar and psi
- All pressure sensing parts sealed and dampened by glycerine for long life
- Includes safety blow-out disk and pressure equalizing membrane
- Gauge snubbers or needle valves recommended for high cycle applications.

### High Cycle Dry Gauges (H-Series)

- Dual scale reading calibrated in bar and psi
- Ideal for use in many applications, specifically for high cycle and harsh environments
- Gauge snubbers or needle valves recommended to shut off gauge when not in use.



#### Gauge adaptor assembly

45° Angled gauge adaptor **GA45GC** improves safe working conditions.

Page: **134**



#### Gauge Adaptor

For easy gauge installation into almost any system, Enerpac offers a complete line of gauge adaptors.

Page: **135**



#### Snubber Valve V-91

Infinitely adjustable for metering oil out of a gauge. The V-91 Snubber Valve is also suitable as a shut-off valve to protect the gauge during

high cycle applications.

Page: **136**

◀ When lifting or pressing, always use a gauge. A gauge is your 'window' to the system. It lets you see what's going on.

# Hydraulic Pressure Gauges



**CAUTION! When lifting or pressing, always use a gauge**  
Do not override factory setting of relief valves. Always use a gauge to check system pressure. A gauge is your 'window' to the system. It lets you see what's going on. See our Safety Instructions.

Page: 265

## G H Series



Pressure Range:

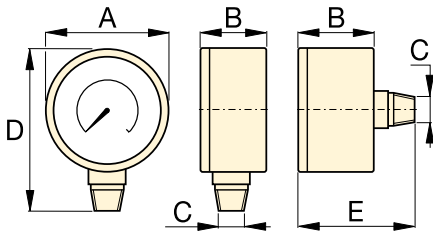
**0 - 1000 bar**

Face Diameter:

**63 - 100 mm**

Accuracy, % of full scale:

**± 1,0 - 1,5%**



Size (mm)	Connection	Dimensions (mm)				
		A	B	C	D	E
63	Lower Mount	63	37	¼" NPTF	84	-
63	Center Rear	63	37	¼" NPTF	-	63
100	Lower Mount	100	29	¼" NPTF	121	-
100	Lower Mount	100	49	½" NPTF	136	-

Note: dimensions for reference only.



### Maximum Indicator Pointer

Indicator retains peak readings of pressure or force generated by the system.

Can easily be installed on GP and H-Series  
ø 100 mm gauges. Order model nr: **BSA-881**.

## ▼ SELECTION CHART

Gauge Series	Pressure Range		Model Number				Major Graduation		Minor Graduation		Major Graduation		Minor Graduation	
			ø 63 ¼" NPTF Lower Mount	ø 63 ¼" NPTF Center Rear	ø 100 ¼" NPTF Lower Mount	ø 100 ½" NPTF Lower Mount	bar		psi		bar		psi	
	(bar)	(psi)	Accuracy: ± 1,5 %		Accuracy: ± 1,0 %		ø 63	ø 100	ø 63	ø 100	ø 63	ø 100	ø 63	ø 100
	G-Series	0-7	0-100	G2509L	-	-	-	1	-	0,01	-	10	-	2
0-11		0-160	G2510L	-	-	-	1	-	0,02	-	10	-	2	-
0-14		0-200	G2511L	-	-	-	1	-	0,02	-	50	-	5	-
0-20		0-300	G2512L	-	-	-	5	-	0,50	-	50	-	5	-
0-40		0-600	G2513L	-	-	-	10	-	1	-	100	-	10	-
0-70		0-1.000	G2514L	G2531R	-	-	10	-	1	-	100	-	20	-
0-140		0-2.000	G2515L	-	-	-	10	-	5	-	500	-	50	-
0-200		0-3.000	G2516L	-	-	-	50	-	5	-	500	-	50	-
0-400		0-6.000	G2517L	G2534R	-	-	100	-	10	-	1000	-	100	-
0-700		0-10.000	G2535L	G2537R	G4088L	G4039L	100	100	10	10	2000	1000	200	100
0-1000	0-15.000	G2536L	G2538R	G4089L	G4040L	100	100	20	20	3000	3000	200	200	
H-Series	0-700	0-10.000	-	-	H4049L	H4071L	-	100	-	10	-	1000	-	100

# T-Series, Test System Gauges

▼ Gauge shown: T-6003L



- Dual scale reading calibrated in bar and psi
- All gauges have spring-loaded backs with rubber blow-out plugs to protect case assembly in case of over-pressurization
- Integral maximum indicator pointer standard included
- 2800 and 3500 bar models include flange mounting
- ½" NPTF versions are made of high strength alloy steel
- 0.25" cone models are made of 316 stainless steel, with 403 stainless steel on 2800 and 3500 bar models.

## T Series

Pressure Range:  
**0 - 3500 bar**

Face Diameter:  
**162 - 192 mm**

Accuracy, % of full scale:  
**± 0,5 - 1,5%**



### Cone Mount Gauge Adaptor

Contains fittings to connect ¼" cone fitting gauge to ¾" cone system. Kit includes 43-301 tee, 43-704 gauge adaptor and 45-116 tubing. Order model number: **83-011**.

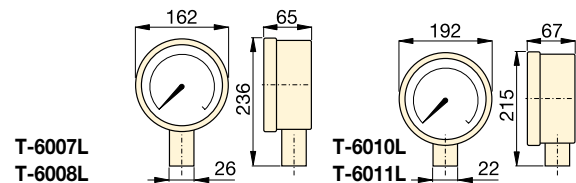
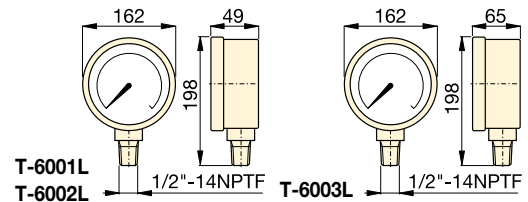
Page: **81**



### Cone Mount Gauge Connector

For connecting gauges with 0.25" cone fitting directly to model number **11-100** or **11-400** pump (page 80). May be used with other

0.25" cone systems  
Order model number: **43-704**



▼ An Enerpac P-2282 hand pump equipped with a T-6011L test system gauge is used for proof pressure testing of hydraulic valves.



Pressure Range (bar)	Pressure Range (psi)	Model Number		Number Intervals (bar)	Graduation Intervals (bar)	Number Intervals (psi)	Graduation Intervals (psi)
		Alloy Steel ½" NPTF	Stainless Steel 0,25 cone				
0-70 <sup>1)</sup>	0-1000	T-6001L	–	10	1	100	10
0-350 <sup>1)</sup>	0-5000	T-6002L	–	50	5	500	50
0-700 <sup>1)</sup>	0-10.000	T-6003L	T-6007L	100	10	1.000	100
0-1400 <sup>1)</sup>	0-20.000	–	T-6008L	200	20	1.000	100
0-2800 <sup>2)</sup>	0-40.000	–	T-6010L	500	20	5.000	200
0-3500 <sup>2)</sup>	0-50.000	–	T-6011L	500	50	5.000	200

<sup>1)</sup> Accuracy ± 0,5%

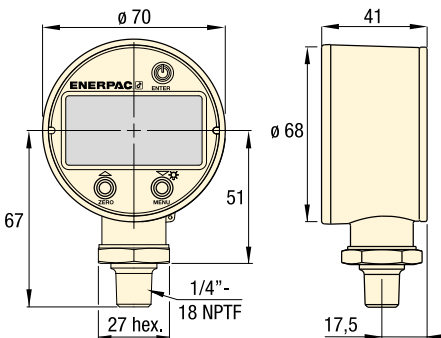
<sup>2)</sup> Accuracy ± 1,5%

# Digital Hydraulic Pressure Gauge

▼ Gauge shown: **DGR-2**



- Rated for system pressure up to 1380 bar
- Displays in bar, psi, MPa and kg/cm<sup>2</sup>
- Zero reset - ensures that gauge reads actual pressure
- IP65 protection, UL listed, CE and RoHS compliant
- Batteries included, condition indicator on read-out
- Shut-off selectable – menu driven
- Back-lit readout allows easy reading in less than ideal lighting
- Protective cover included.



High Pressure Rating (bar)		High Pressure Rating (MPa)		Model Number	High Pressure Rating (psi)		High Pressure Rating (kg/cm <sup>2</sup> )	
Range	Resolution	Range	Resolution		Range	Resolution	Range	Resolution
0-1380	0,1	0-140	0,01	<b>DGR-2</b>	0-20.000	1	0-1400	0,1

Weight: 0,23 kg.

## DGR Series

Pressure Range:

**0 - 1380 bar**

Voltage:

**3 Volt (battery)**

Accuracy, % of full scale:

**± 0,25%**



### Gauge Adaptor

For easy gauge installation into almost any system, Enerpac offers a complete line of gauge adaptors. Maximum operating pressure 700 bar.

Page: 135

▼ Greater accuracy and easier to read: enhance your ability to monitor and control hydraulic system pressure up to 1380 bar.



▼ Shown: GA45GC



- 45° angled gauge improves visibility
- Slim and narrow design
- Easy to fit in a broad range of systems
- Maximize controlled load movement
- Glycerin dampened gauge with dual scale
- Enerpac High-Flow female coupler CR400.

## GA45GC, AMGC Series

Connection 1:  
**3/8" NPTF male**

Connection 2:  
**CR-400 coupler**

Maximum Operating Pressure:  
**700 bar**



### 4 Way Manifold assembly complete with gauges

Offering ease of portability and convenience with an ergonomic robust design, ready for use.

Enerpac's CR400 female couplers on all ports allow the manifold to be quickly connected to up to 4 cylinders. Glycerine filled, 700 bar gauges allow operators to work safely. All protected by the robust protection frame.

Manifold Type (Used for cylinders)	Model Number
4x Single-acting	<b>AMGC41</b>
4x Double-acting	<b>AMGC42</b>

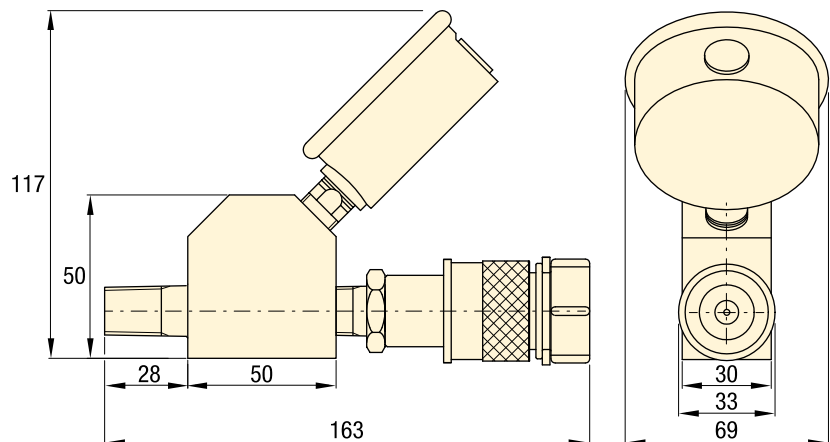


### Power Box

Portable tool box with hand pump, GA45GC gauge adaptor assembly, hose and RC, RSM, RCS-cylinder, WR5 wedgie or LW16-lifting wedge.

Page: **61**

▼ The Gauge Adaptor Assembly is the window to your system; allows easy reading of the pressure for safe operation.



Model Number	Gauge Port (1/4" NPTF)	Male End (NPTF)	Female End (3/8" NPTF)	Gauge Range	
				(bar)	(psi)
<b>GA45GC</b>	G2535L	3/8" -18	CR-400	0 - 700	0 - 10.000