

GLOBAL SERVICE

Norbar is the only torque equipment manufacturer capable of offering tool and instrument calibration services to the original factory standard on four continents.

Accredited laboratories in Australia, USA, Singapore, China and India operate the same equipment and procedures as the UKAS accredited laboratory within our headquarters in the UK.



NORBAR TORQUE TOOLS LTD
Wildmere Road, Banbury, Oxfordshire, OX16 3JU
UNITED KINGDOM
Tel + 44 (0)1295 753600
Email sales@norbar.com



NORBAR TORQUE TOOLS
45-47 Raglan Avenue, Edwardstown
SA 5039
AUSTRALIA
Tel + 61 (0)8 8292 9777
Email enquiry@norbar.com.au



NORBAR TORQUE TOOLS INC
36400 Biltmore Place, Willoughby
Ohio 44094
USA
Tel + 1 866 667 2272
Email inquiry@norbar.us



NORBAR TORQUE TOOLS PTE LTD
194 Pandan Loop, #07-20 Pantech Business Hub
SINGAPORE 128383
Tel + 65 6841 1371
Email enquires@norbar.sg



NORBAR TORQUE TOOLS (SHANGHAI) LTD
91 Building- 7F, No. 1122 North Qinzhou Road,
Xuhui District, Shanghai
CHINA 201103
Tel + 86 21 6145 0368
Email sales@norbar.com.cn



NORBAR TORQUE TOOLS INDIA PVT. LTD
Plot No A – 168 Khairne Industrial Area
Thane Belapur Road
Mahape Navi Mumbai – 400 709
INDIA
Tel + 91 22 2778 8480
Email enquiry@norbar.in

www.norbar.com



NORBAR PRODUCT PORTFOLIO



Torque Screwdrivers



Torque Wrenches



Electronic Torque Wrenches



Manual Torque Multipliers



Pneumatic Torque Tools



Electronic Torque Tools



Battery Torque Tools



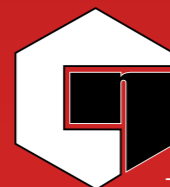
Torque Measurement Instruments



Torque Transducers



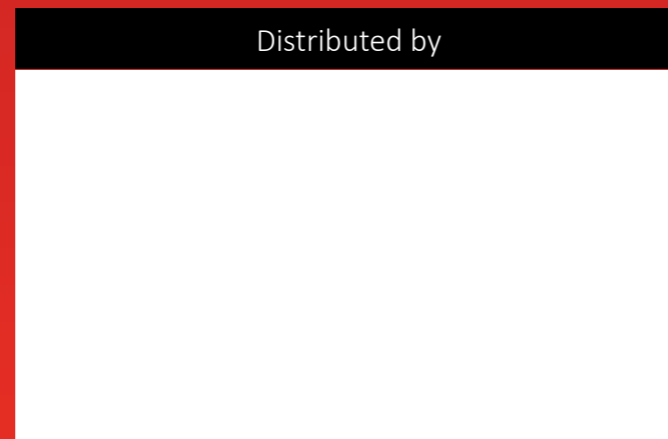
Calibration Services



Let's Talk

The live chat feature can be found at the bottom right of any page on our website

Distributed by



INDUSTRIAL TORQUE WRENCH

ROBUST WITH UNMISTAKABLE TORQUE SIGNAL
NOW SPLIT FOR EASE OF STORAGE AND TRANSPORTATION



The heavy road fleet industry and other heavy duty operators love the 'Industrial' wrench for its robustness and clear torque signal. This new generation retains these qualities but improves upon the original's scale for more accurate setting and can be split into two parts for easy storage and economic shipping.



Push-through ratchet allows two direction torquing

Robust construction gives accurate results to $\pm 4\%$ even in arduous working conditions. Tool is supplied with a Declaration of Conformance which meets the requirements of ISO 6789-1:2017

Can be split and packed in two parts for a smaller, easier to transport tool (as shown below)



Packed dimensions:
970 x 260 x 95 mm
(L x W x H)

Unique profiled cam and reaction plate - gives much clearer torque signal and the large break angle greatly reduces the possibility of over-torquing

Designed for cost-effective servicing

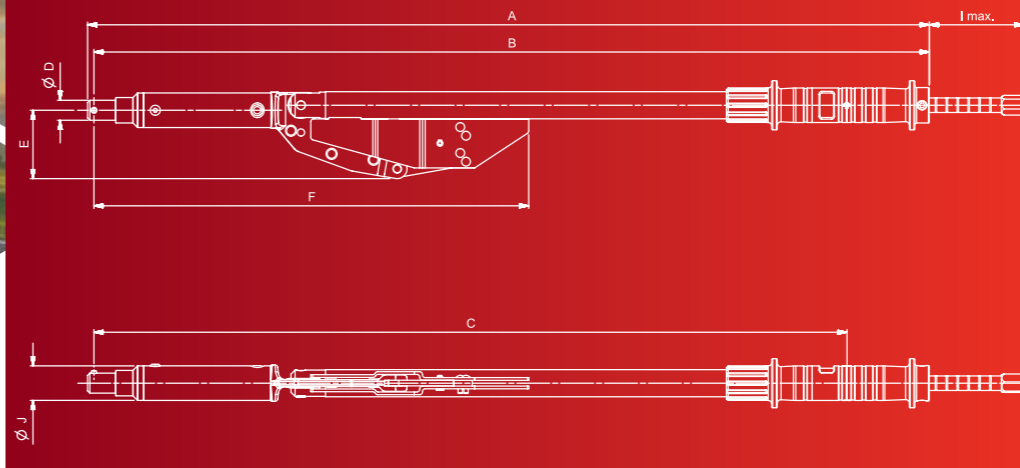
New handle - more comfortable and guides operator's hand to correct position

Easy to read scale is shielded from dust, dirt and spray

Easy to set accurately (Setting tool included)



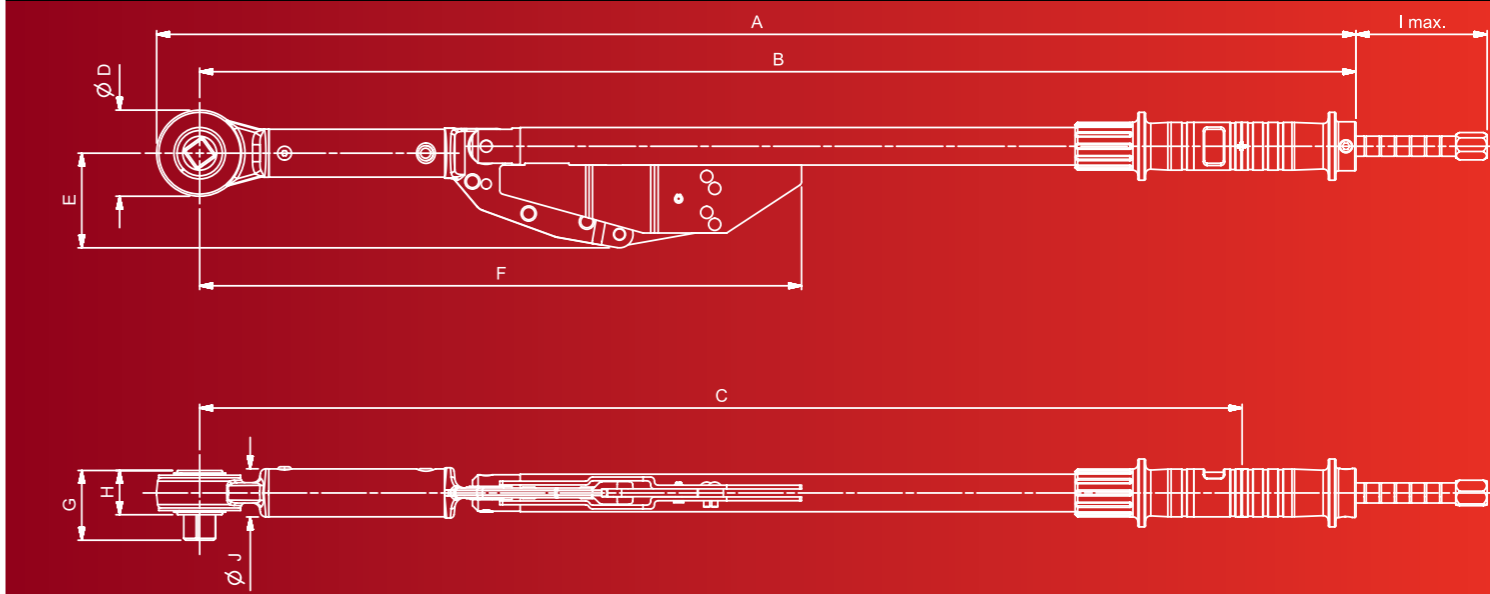
TECHNICAL SPECIFICATION - 22 mm SPIGOT TORQUE HANDLE



| MODEL | | 3AR-N | 3AR-N 'P' Type |
|------------------|--------|-------------------|----------------|
| Part Number | | 120102 *120108 | 120105 |
| Range | N·m | 120 - 600 | 120 - 600 |
| | lbf·ft | 100 - 450 | 100 - 450 |
| Tool Weight (kg) | | 5.95 | 5.3 |
| Dimensions (mm) | A | 927 | 927 |
| | B | 920 | 920 |
| | C | 829 | 829 |
| | ØD | 22 | 22 |
| | E | 75 | 75 |
| | F | 479 | 479 |
| | I max. | 105 | 18 |
| ØJ | 38 | 38 | |

*N·m only version

TECHNICAL SPECIFICATION - INDUSTRIAL PUSH-THROUGH



| MODEL | | 3AR-N | 3AR-N 'P' Type | 4AR-N | 4AR-N 'P' Type | 5R-N | 5R-N 'P' Type |
|----------------------------|--------|--|---------------------------------|--|---------------------------------|--|---------------------------------|
| Part Number & Square Drive | | 120101 - 3/4" 120101.01 - 1" *120107 - 3/4" *120107.01 - 1" | 120104 - 3/4" 120104.01 - 1" | 120110 - 3/4" 120110.01 - 1" *120114 - 3/4" *120114.01 - 1" | 120111 - 3/4" 120111.01 - 1" | 120115 - 3/4" 120115.01 - 1" *120117 - 3/4" *120117.01 - 1" | 120116 - 3/4" 120116.01 - 1" |
| Range | N·m | 120 - 600 | 120 - 600 | 200 - 800 | 200 - 800 | 300 - 1,000 | 300 - 1,000 |
| | lbf·ft | 100 - 450 | 100 - 450 | 150 - 600 | 150 - 600 | 200 - 750 | 200 - 750 |
| Tool Weight (kg) | | 5.95 | 5.95 | 6.65 | 6.65 | 7.35 | 7.35 |
| Dimensions (mm) | A | 954 | 954 | 1,214 | 1,214 | 1,449 | 1,449 |
| | B | 920 | 920 | 1,180 | 1,180 | 1,415 | 1,224 |
| | C | 829 | 829 | 1,089 | 1,089 | 1,324 | 1,324 |
| | ØD | 69 | 69 | 69 | 69 | 69 | 69 |
| | E | 75 | 75 | 75 | 75 | 75 | 75 |
| | F | 479 | 479 | 738 | 738 | 974 | 974 |
| | G | 3/4" = 55 / 1" = 63 | 3/4" = 55 / 1" = 63 | 3/4" = 55 / 1" = 63 | 3/4" = 55 / 1" = 63 | 3/4" = 55 / 1" = 63 | 3/4" = 55 / 1" = 63 |
| | H | 35 | 35 | 35 | 35 | 35 | 35 |
| | I max. | 105 | 18 | 105 | 18 | 105 | 18 |
| | ØJ | 38 | 38 | 38 | 38 | 38 | 38 |

*N·m only version