

WH GT Geared Trolley

The William Hackett WH GT Geared Travel Trolleys meet and exceed the requirements of international standard and British Standard BS EN 13157:2004 + A1:2009.

This high quality trolley range is precision engineered in capacities from 500kg to 10 tonne. Enabling exact positioning or easy traversing of large loads incorporating Manual hoists, the Hackett series push trolley can be supplied to suit various track widths with Beam Range 1 and the extended Beam Range 2.

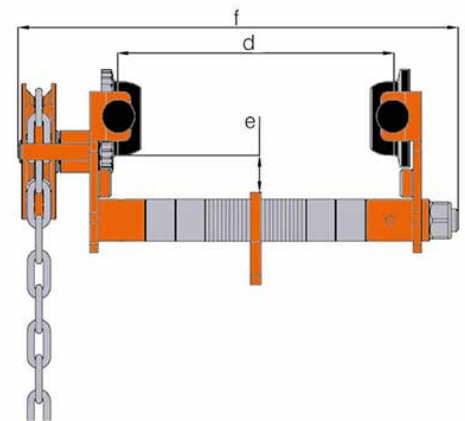
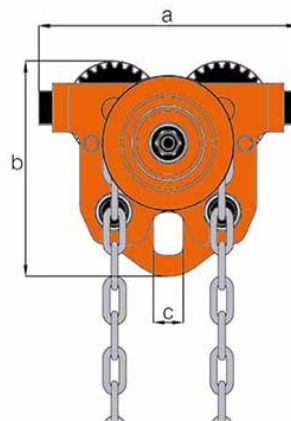
It has been designed so that the bottom of the hand chain loop is 500mm from ground level.

The runners (trolley wheels) are precision machined and they rotate on maintenance sealed ball bearings.

All Hackett geared trolleys are fitted with anti-jump bars and rubber end stops as standard.



Specification



| Part Code | WLL t | Min.radius of Curve m | a mm | b mm | c mm | e mm |
|-----------|----------|--------------------------|---------|---------|---------|---------|
| 055.050 | 0.50 | 0.8 | 190 | 154 | 22 | 27 |
| 055.100 | 1.00 | 0.9 | 206 | 180 | 30 | 26 |
| 055.200 | 2.00 | 1.0 | 246 | 210 | 37 | 26 |
| 055.320 | 3.20 | 1.2 | 300 | 249 | 42 | 28 |
| 055.500 | 5.00 | 1.3 | 336 | 277 | 50 | 37 |
| 055.1000 | 10.00 | 2.0 | 396 | 334 | 58 | 37 |

Standard Range 1

| WLL t | I Beam Width mm | d Max. width mm | f Max. mm | Mass kg |
|----------|--------------------|--------------------|--------------|------------|
| 0.50 | 50-203 | 203 | 323 | 9.60 |
| 1.00 | 64-203 | 203 | 332 | 12.30 |
| 2.00 | 88-203 | 203 | 341 | 17.20 |
| 3.20 | 100-203 | 203 | 359 | 28.40 |
| 5.00 | 114-203 | 203 | 366 | 40.10 |
| 10.00 | 124-203 | 203 | 386 | 62.00 |

Extended Range 2

| Part Code | WLL t | I Beam Width mm | d Max. width mm | f Max. mm | Mass kg |
|--------------|----------|--------------------|--------------------|--------------|------------|
| 055.050 | 0.50 | - | - | - | - |
| 055.100 | 1.00 | 64-305 | 305 | 434 | 13.70 |
| 055.200 | 2.00 | 88-305 | 305 | 443 | 19.00 |
| 055.320 | 3.20 | 100-305 | 305 | 461 | 31.20 |
| 055.500 | 5.00 | 114-305 | 305 | 468 | 44.20 |
| 055.1000 | 10.00 | 124-305 | 305 | 488 | 67.00 |