

▼ Shown: S3000PX



## Setting New Standards in Safety, Simplicity and Performance

### Safety and Performance

- Compact, high-strength uni-body construction provides a small operating radius without sacrificing endurance
- 35° rotation angle and rapid return stroke for fast operation
- Tough manifold design with added safety feature for enhanced operator safety

### Simplicity

- 360° click-on reaction arm with quick release lever provides easier handling, even with gloves on
- Includes robust handle which mounts on both sides of tool for extra maneuverability
- Push button square drive release for quickly reversing the square drive for tightening or loosening

### Versatility

- Available with optional enhanced tilt and swivel TSP300 manifold for horizontal and vertical maneuverability, with greater durability <sup>1)</sup>

### Accuracy

- Constant torque output provides accuracy of ±3% across full stroke
- Optional Angle-of-Turn Indicator provides measurement of rotation.



#### Two Handle Styles

Robust angled positioning handle comes standard with every S-Series (X-Edition) tool. Straight positioning handles are available as accessories.

Compatible S-Series (X-Edition) wrenches	Model Nr. Angled positioning handles (standard)	Model Nr. Straight positioning handles (optional)
S1500X, S3000X	<b>SWH6A</b>	<b>SWH6S</b>
S6000X, S11000X	<b>SWH10A</b>	<b>SWH10S</b>
S25000X	<b>SWH10EA</b> <sup>2)</sup>	

<sup>2)</sup> SWH10EA is an eyebolt handle.



#### TSP - Pro Series Swivel

The optional TSP300 tilt and swivel manifold with robust interlocking design provides 360° X-axis rotation and 160° Y-axis rotation.

#### How to Order <sup>1)</sup>

Factory fitted to S-Series (X-Edition) wrenches: Insert a "P" prior to the "X" in the tool model number, example: **S1500PX**.

Order as an accessory using the model number: **TSP300**, which can be fitted to existing S-Series (X-Edition) wrenches. Includes male and female couplers.

Page: 183



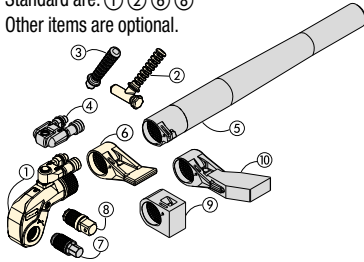
#### ATEX declared. Calibration certificate included.

All X-edition tools are CE - ATEX declared and are shipped complete with a calibration certificate.

<sup>1)</sup> TSP300 is designed for X-Edition tools only, and is not compatible with previous edition tools. For replacement components for existing tools, refer to repair sheet on [www.enerpac.com](http://www.enerpac.com)

# X-Edition, Square Drive Torque Wrenches

Standard are: ① ② ⑥ ⑧  
Other items are optional.



- ① Drive Unit
- ② Angeled Positioning Handle
- ③ Straight Positioning Handle
- ④ Pro Series Swivel
- ⑤ Reaction Tube Extension
- ⑥ Standard Reaction Arm
- ⑦ Allen Drive
- ⑧ Square Drive
- ⑨ Short Reaction Arm
- ⑩ Extended Reaction Arm

**Select the Right Torque**  
Choose your Enerpac Torque Wrench using the untightening rule of thumb:  
Loosening torque equals about 250% of tightening torque.

## S Series X-Edition

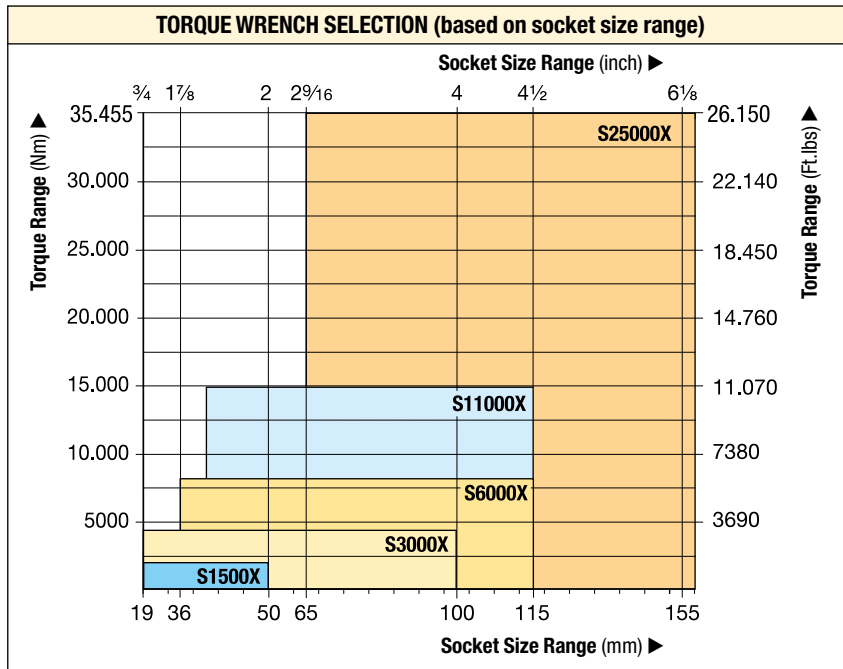


Nominal Torque Output:  
**35.455 Nm**

Square Drive Range:  
**3/4 - 2 1/2 inch**

Nose Radius:  
**25 - 64 mm**

Maximum Operating Pressure:  
**690 bar**



### Accessory Options

A full list of optional accessories is available for maximum versatility.

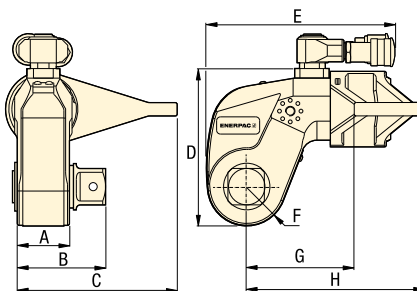
Page: **183**

▼ The rigid steel design of the S-Series torque wrenches provides durability, reliability and safety.



**Use only Heavy Duty Impact Sockets**  
For power driven torquing equipment, according to ISO2725 and ISO1174; DIN 3129 and DIN 3121 or ASME-B107.2/1995.

Page: **184**



Nominal Torque at 690 bar		Minimum Torque at 69 bar		Square Drive Size (inch)		Angle-of-Turn Model Nr. (optional)	Torque Wrench Model Number *	Dimensions (mm)								Weight (kg)
(Nm)	(Ft.lbs)	(Nm)	(Ft.lbs)	Model Nr. (included with wrench)	Model Nr. (optional)			A	B	C	D	E	F	G	H	
1952	1440	195	144	3/4	SD15-012	AOT15	<b>S1500X</b>	39	65	108	97	136	25	70	129	3,2
4373	3225	438	323	1	SD30-100	AOT30	<b>S3000X</b>	48	78	135	128	173	33	90	161	5,6
8338	6150	834	615	1 1/2	SD60-108	AOT60	<b>S6000X</b>	55	92	169	157	192	40	110	188	9,2
15.151	11.175	1516	1118	1 1/2	SD110-108	AOT110	<b>S11000X</b>	72	114	197	190	228	50	133	229	15,8
35.455	26.150	3545	2615	2 1/2	SD250-208	AOT250	<b>S25000X</b>	89	143	246	244	287	64	182	295	32,2

\* To order a S-Series (X-edition) torque wrench fitted with a TSP300 tilt and swivel manifold, insert a "P" prior to the "X" in the tool model number, example: **S1500PX**.

Maximum Torque at 690 bar:

**35.455 Nm**

Hexagon Size Allen Drive:


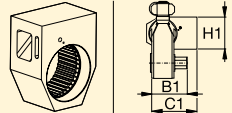
**½ - 2¼ inch**

Hexagon Size Allen Drive:

**14 - 85 mm**

For  
**S**  
Series



Torque Wrench 	Optional Allen Drives, Imperial				Optional Allen Drives, Metric				Short Reaction Arm for Allen Drives 		
	Hexagon Size <sup>1)</sup> (inch)	Maximum Torque (Nm)	Model Number	Dim. B1 (mm)	Hexagon Size <sup>1)</sup> (mm)	Maximum Torque (Nm)	Model Number	Dim. B1 (mm)	Model Number	Dimensions (mm) C1   H1	
<b>S1500X</b> (1952 Nm)	½	481	<b>SDA15-008</b>	66	<b>14</b>	644	<b>SDA15-14</b>	66	<b>SRA15X</b>	67,5	74
	5/8	936	<b>SDA15-010</b>	67	<b>17</b>	1152	<b>SDA15-17</b>	68			
	¾	1620	<b>SDA15-012</b>	71	<b>19</b>	1607	<b>SDA15-19</b>	70			
	7/8	1952	<b>SDA15-014</b>	74	<b>22</b>	1952	<b>SDA15-22</b>	73			
	<b>1</b>	1952	<b>SDA15-100</b>	77	<b>24</b>	1952	<b>SDA15-24</b>	74			
<b>S3000X</b> (4373 Nm)	5/8	936	<b>SDA30-010</b>	77	<b>17</b>	1152	<b>SDA30-17</b>	77	<b>SRA30X</b>	80,0	74
	¾	1620	<b>SDA30-012</b>	80	<b>19</b>	1607	<b>SDA30-19</b>	79			
	7/8	2569	<b>SDA30-014</b>	83	<b>22</b>	2488	<b>SDA30-22</b>	82			
	<b>1</b>	3830	<b>SDA30-100</b>	86	<b>24</b>	3234	<b>SDA30-24</b>	84			
	<b>1 1/8</b>	4373	<b>SDA30-102</b>	88	<b>27</b>	4373	<b>SDA30-27</b>	85			
	<b>1 1/4</b>	4373	<b>SDA30-104</b>	89	<b>30</b>	4373	<b>SDA30-30</b>	87			
	-	-	-	-	<b>32</b>	4373	<b>SDA30-32</b>	88			
<b>S6000X</b> (8338 Nm)	5/8	936	<b>SDA60-010</b>	85	<b>17</b>	1152	<b>SDA60-17</b>	86	<b>SRA60X</b>	91,5	89
	¾	1620	<b>SDA60-012</b>	89	<b>19</b>	1607	<b>SDA60-19</b>	88			
	7/8	2569	<b>SDA60-014</b>	92	<b>22</b>	2488	<b>SDA60-22</b>	91			
	<b>1</b>	3830	<b>SDA60-100</b>	95	<b>24</b>	3234	<b>SDA60-24</b>	93			
	<b>1 1/8</b>	5457	<b>SDA60-102</b>	97	<b>27</b>	4603	<b>SDA60-27</b>	94			
	<b>1 1/4</b>	7484	<b>SDA60-104</b>	98	<b>30</b>	6311	<b>SDA60-30</b>	96			
	-	-	-	-	<b>32</b>	7660	<b>SDA60-32</b>	97			
<b>S11000X</b> (15.151 Nm)	<b>1 1/4</b>	7484	<b>SDA110-104</b>	115	<b>30</b>	6311	<b>SDA110-30</b>	112	<b>SRA110X</b>	127,5	106
	<b>1 3/8</b>	9958	<b>SDA110-106</b>	117	<b>32</b>	7660	<b>SDA110-32</b>	114			
	<b>1 1/2</b>	12.928	<b>SDA110-108</b>	118	<b>36</b>	10.901	<b>SDA110-36</b>	117			
	<b>1 5/8</b>	15.151	<b>SDA110-110</b>	122	<b>41</b>	15.151	<b>SDA110-41</b>	121			
	<b>1 3/4</b>	15.151	<b>SDA110-112</b>	125	<b>46</b>	15.151	<b>SDA110-46</b>	127			
<b>S25000X</b> (35.455 Nm)	<b>1 1/2</b>	12.928	<b>SDA250-108</b>	141	<b>36</b>	10.901	<b>SDA250-36</b>	140	<b>SRA250X</b>	158,5	135
	<b>1 5/8</b>	16.433	<b>SDA250-110</b>	145	<b>41</b>	16.107	<b>SDA250-41</b>	144			
	<b>1 3/4</b>	20.520	<b>SDA250-112</b>	148	<b>46</b>	22.744	<b>SDA250-46</b>	148			
	<b>1 7/8</b>	25.245	<b>SDA250-114</b>	149	<b>50</b>	29.211	<b>SDA250-50</b>	151			
	<b>2</b>	30.635	<b>SDA250-200</b>	151	<b>55</b>	35.455	<b>SDA250-55</b>	154			
	<b>2 1/4</b>	35.455	<b>SDA250-204</b>	154	<b>60</b>	35.455	<b>SDA250-60</b>	158			
	-	-	-	-	<b>65</b>	35.455	<b>SDA250-65</b>	161			
	-	-	-	-	<b>70</b>	35.455	<b>SDA250-70</b>	164			
	-	-	-	-	<b>75</b>	35.455	<b>SDA250-75</b>	168			
	-	-	-	-	<b>85</b>	35.455	<b>SDA250-85</b>	175			

<sup>1)</sup> See page 271 for table of hexagon sizes of bolts, nuts and related thread diameters.

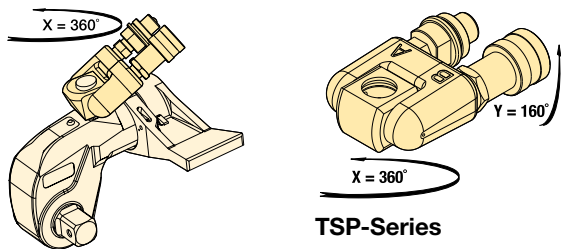
# Accessories for S-Series, X-Edition Wrenches

## TSP RTEX SRSX Series



### TSP-Series, Pro Series Swivel

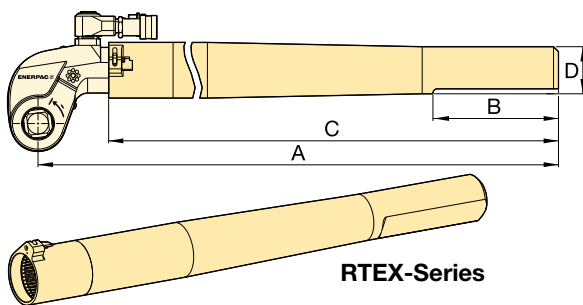
- Robust interlocking design
- 360° X-axis and 160° Y-axis rotation
- Increases tool fit in restricted access areas
- Simplifies hose placement
- Includes male and female couplers



For Torque Wrench Model Number	Model Number <sup>1)</sup>	Maximum Pressure (bar)	Weight (kg)
S1500X, S3000X, S6000X, S11000X, S25000X	TSP300	690	0,2

<sup>1)</sup> To order a S-Series (X-edition) torque wrench fitted with a TSP300 tilt and swivel manifold, insert a "P" prior to the "X" in the tool model number, example: **S1500PX**. TSP300 is designed for X-Edition tools only, and is not compatible with standard edition tools. For replacement components for existing tools, refer to repair sheet on [www.enerpac.com](http://www.enerpac.com)

### RTEX-Series, Reaction Tube Extensions

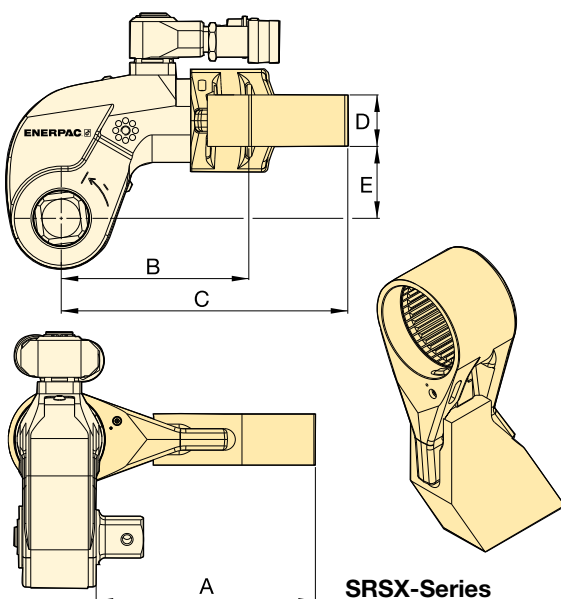


- Full torque rated
- Increases tool fit in restricted access areas

For Torque Wrench Model Number	Model Number	Dimensions (mm)				Weight (kg) *
		A	B	C	D	
S1500X	RTE15X	706	152	636	58	4,6
S3000X	RTE30X	733	152	647	57	5,5
S6000X	RTE60X	747	152	659	65	7,7
S11000X	RTE110X	769	152	675	76	11,2
S25000X	RTE250X	813	152	685	100	17,3

\* Weights indicated are for the accessories only and do not include the wrench.

### SRSX-Series, Extended Reaction Arms



- Lightweight interchangeable design

For Wrench Model	Max. Torque (Nm)	Model Number	Dimensions (mm)					Weight (kg) *
			A	B	C	D	E	
S1500X	1801	SRS151X	94	86	127	24	34	0,8
	1641	SRS152X	119	97	138	24	34	1,0
	1533	SRS153X	145	109	148	24	34	1,2
S3000X	3918	SRS301X	111	106	168	34	48	1,6
	3712	SRS302X	137	117	182	34	48	2,0
	3574	SRS303X	162	132	198	34	48	2,5
S6000X	7842	SRS601X	138	128	192	39	62	2,3
	7454	SRS602X	163	144	207	39	62	2,7
	7175	SRS603X	189	159	222	39	62	3,4
S11000X	14.650	SRS1101X	149	157	232	46	76	4,4
	13.957	SRS1102X	175	172	247	46	76	5,1
	13.391	SRS1103X	200	187	261	46	76	5,8
S25000X	33.538	SRS2501X	183	209	295	50	100	7,6
	32.049	SRS2502X	208	222	310	50	100	8,4
	30.750	SRS2503X	233	236	326	50	100	10,0

\* Weights indicated are for the accessories only and do not include the wrench.

# BSH-Series, Heavy-Duty Sockets

- Heavy-duty impact sockets
- Supplied with "Pin and Ring"

## METRIC SOCKETS

¾" Square Drive		1" Square Drive		1½" Square Drive		2½" Square Drive	
Model Number	A/F (mm)	Model Number	A/F (mm)	Model Number	A/F (mm)	Model Number	A/F (mm)
BSH7519	19	BSH1019	19	BSH1536	36	BSH2565	65
BSH7524	24	BSH1024	24	BSH15163	41	BSH2570	70
BSH7527	27	BSH1027	27	BSH1546	46	BSH2575	75
BSH7530	30	BSH1030	30	BSH1550	50	BSH2580	80
BSH7532	32	BSH1032	32	BSH1555	55	BSH2585	85
BSH7536	36	BSH1036	36	BSH1560	60	BSH2590	90
BSH75163	41	BSH10163	41	BSH1565	65	BSH2595	95
BSH7546	46	BSH1046	46	BSH1570	70	BSH25100	100
BSH7550	50	BSH1050	50	BSH1575	75	BSH25105	105
-	-	BSH1055	55	BSH1580	80	BSH25110	110
-	-	BSH1060	60	BSH1585	85	BSH25115	115
-	-	BSH1065	65	BSH1590	90	BSH25120	120
-	-	BSH1070	70	BSH1595	95	BSH25125	125
-	-	BSH1075	75	BSH15100	100	BSH25135	135
-	-	BSH1080	80	BSH15105	105	BSH25140	140
-	-	BSH1085	85	BSH15110	110	BSH25145	145
-	-	BSH1090	90	BSH15115	115	BSH25150	150
-	-	BSH1095	95	-	-	BSH25155	155
-	-	BSH10100	100	-	-	-	-

## BSH Series



Hexagon Size:

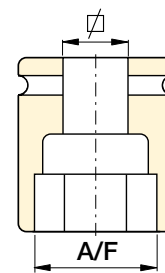
**19 - 155 mm | ¾" - 6 1/8"**



### Select the Right Torque

Choose your Enerpac Torque Wrench using the untightening rule of thumb: Loosening torque equals about 250% of tightening torque.

Page: 272



### Hexagon Bolt and Nut Sizes

See the table of hexagon sizes of bolts, nuts and related thread diameters.

Page: 271

## IMPERIAL SOCKETS

¾" Square Drive		1" Square Drive				1½" Square Drive				2½" Square Drive			
Model Number	A/F (inch)	Model Number	A/F (inch)	Model Number	A/F (inch)	Model Number	A/F (inch)	Model Number	A/F (inch)	Model Number	A/F (inch)	Model Number	A/F (inch)
BSH7519	¾"	BSH1019	¾"	BSH10231	2 5/16"	BSH15144	1 7/16"	BSH15281	2 13/16"	BSH25244	2 7/16"	BSH25419	4 3/16"
BSH75088	7/8"	BSH10088	7/8"	BSH10238	2 3/8"	BSH1538	1 1/2"	BSH15288	2 7/8"	BSH25250	2 1/2"	BSH25425	4 1/4"
BSH75094	15/16"	BSH10094	15/16"	BSH10244	2 7/16"	BSH15156	1 9/16"	BSH1575	2 15/16"	BSH2565	2 13/16"	BSH25110	4 5/16"
BSH7527	1 1/16"	BSH1027	1 1/16"	BSH10250	2 1/2"	BSH15163	1 5/8"	BSH15300	3"	BSH25263	2 5/8"	BSH25438	4 3/8"
BSH7530	1 3/16"	BSH1030	1 3/16"	BSH1065	2 9/16"	BSH1543	1 11/16"	BSH15306	3 1/16"	BSH25269	2 11/16"	BSH25450	4 1/2"
BSH75125	1 ¼"	BSH10125	1 ¼"	BSH10263	2 5/8"	BSH15175	1 ¾"	BSH15313	3 1/8"	BSH2570	2 ¾"	BSH25463	4 5/8"
BSH75131	1 5/16"	BSH10131	1 5/16"	BSH10269	2 11/16"	BSH1546	1 13/16"	BSH15319	3 3/16"	BSH25281	2 11/16"	BSH25475	4 ¾"
BSH7535	1 3/8"	BSH1035	1 3/8"	BSH1070	2 ¾"	BSH15188	1 7/8"	BSH15325	3 ¼"	BSH25288	2 7/8"	BSH25488	4 7/8"
BSH75144	1 7/16"	BSH10144	1 7/16"	BSH10281	2 13/16"	BSH15194	1 15/16"	BSH15338	3 3/8"	BSH2575	2 15/16"	BSH25500	5"
BSH7538	1 1/2"	BSH1038	1 1/2"	BSH10288	2 7/8"	BSH15200	2"	BSH15350	3 1/2"	BSH25300	3"	BSH25513	5 1/8"
BSH75156	1 9/16"	BSH10156	1 9/16"	BSH1075	2 15/16"	BSH15206	2 1/16"	BSH15363	3 5/8"	BSH25306	3 1/16"	BSH25519	5 3/16"
BSH75163	1 5/8"	BSH10163	1 5/8"	BSH10300	3"	BSH15213	2 1/8"	BSH1595	3 ¾"	BSH25313	3 1/8"	BSH25525	5 1/4"
BSH7543	1 11/16"	BSH1043	1 11/16"	BSH10306	3 1/16"	BSH15219	2 3/16"	BSH15388	3 7/8"	BSH25319	3 3/16"	BSH25538	5 3/8"
BSH75175	1 ¾"	BSH10175	1 ¾"	BSH10313	3 1/8"	BSH15225	2 ¼"	BSH15100	3 15/16"	BSH25325	3 ¼"	BSH25140	5 1/2"
BSH7546	1 13/16"	BSH1046	1 13/16"	BSH10319	3 3/16"	BSH15231	2 5/16"	BSH15400	4"	BSH25338	3 3/8"	BSH25575	5 ¾"
BSH75188	1 7/8"	BSH10188	1 7/8"	BSH10325	3 ¼"	BSH15238	2 3/8"	BSH15105	4 1/8"	BSH25350	3 1/2"	BSH25150	5 7/8"
BSH75194	1 15/16"	BSH10194	1 15/16"	BSH10338	3 3/8"	BSH15244	2 7/16"	BSH15419	4 3/16"	BSH25363	3 5/8"	BSH25600	6"
BSH75200	2"	BSH10200	2"	BSH10350	3 1/2"	BSH15250	2 1/2"	BSH15425	4 ¼"	BSH2595	3 ¾"	BSH25613	6 1/8"
-	-	BSH10206	2 1/16"	BSH10363	3 5/8"	BSH1565	2 9/16"	BSH15110	4 5/16"	BSH25388	3 7/8"	-	-
-	-	BSH10213	2 1/8"	BSH1095	3 ¾"	BSH15263	2 5/8"	BSH15438	4 3/8"	BSH25100	3 15/16"	-	-
-	-	BSH10219	2 3/16"	BSH10388	3 7/8"	BSH15269	2 11/16"	BSH15450	4 1/2"	BSH25400	4"	-	-
-	-	BSH10225	2 ¼"	-	-	BSH1570	2 ¾"	BSH15463	4 5/8"	BSH25105	4 1/8"	-	-



Enerpac professional series steel torque wrenches provide reliable controlled tightening solutions across the industry.

### ***S3000X Square Drive Torque Wrench on wind tower erection and maintenance***

*S3000X used to connect wind tower segments during assembly and maintenance. A robust but compact solution is required for tightening of bolts on wind tower sections. Large numbers of fasteners require precise application of torque to ensure joint integrity is achieved and maintained. The Enerpac S-Series wrench was selected as it offers simple and reliable operation while providing accurate and repeatable results.*



### ***W4000X Low Profile Torque Wrench on an API Pipe Flange***

*Throughout the Oil and Gas, Petrochemical and Processing Industries, pipeline joints, valves, pumps and machinery present challenges for controlled bolting. The restricted access on this flange was easily overcome with an Enerpac W-Series Torque Wrench. These wrenches offer reliability and control, ensuring even and consistent torque is applied to all bolts.*

### ***S3000X on an oil and gas flange***

*During maintenance quick turnaround times are essential; S-Series wrenches are chosen as they provide a large angle of nut rotation per stroke, offering speed and accuracy in a compact ergonomic tool.*

