

▼ Shown from left to right: A-220, A-330 and A-258



C-Clamp Press

- 5, 10 and 20 ton capacity
- Operational in all positions.

Arbor Press

- 10 and 30 ton capacity
- Foot mounting holes for horizontal or vertical positioning
- Machined working surfaces for easier fixturing
- Slotted back to simplify loading and unloading of longer parts.

Bench Press Frame

- Cylinder mounting adaptor allows lateral positioning along rails
- Mounting holes for easy mounting to fix surface.

The Standard Workshop Tools



Push Pin A-183

For applications requiring precision pressing, such as shaft removal and insertion. This attachment fits 10 ton cylinders and requires the use of a threaded adaptor saddle (A-13).

Page: **174**



Smooth Saddle A-185

For pressing applications of delicate parts, such as aluminium castings, this saddle decreases surface marks during the pressing application. Requires 10 ton cylinder and threaded adaptor saddle (A-13).

Page: **175**



Hydraulic Cylinders

Cylinders for C-Clamps and Arbor Presses must be ordered separately.

Page: **5**



Hydraulic Pumps

Pumps for C-Clamps and Arbor Presses must be ordered separately.

Page: **69**

▼ A-310 Arbor Press



▼ SELECTION CHART

| Press Type | Press Capacity ton (kN) | Maximum Vertical Daylight (mm) | Maximum Bed Width (mm) | Press Model Number | Cylinder Model Number | Page: |
|------------|----------------------------|-----------------------------------|---------------------------|------------------------|----------------------------------|-------|
| C-Clamp | 5 (45) | 165 | 51 | A-205 | 5 ton RC-cylinder ¹⁾ | 6 |
| | 10 (101) | 228 | 57 | A-210 | 10 ton RC-cylinder ¹⁾ | 6 |
| | 20 (178) | 305 | 70 | A-220 | 25 ton RC-cylinder ²⁾ | 6 |
| Arbor | 10 (101) | 227 | 135 | A-310 | 10 ton RC-cylinder ¹⁾ | 6 |
| | 30 (295) | 260 | 178 | A-330 | RC-308 ¹⁾ | 6 |
| Bench | 10 (101) | 419 | 381 | A-258 | 10 ton RC-cylinder ¹⁾ | 6 |
| | | 419 | 381 | IPA-1022 ³⁾ | RC-1010 | 6 |
| | | 419 | 381 | IPH-1040 ⁴⁾ | RC-1010 | 6 |

¹⁾ Recommended cylinder must be ordered separately. ²⁾ Must be limited to 20 ton.

³⁾ IPA-1022 is complete set including RC-1010 cylinder, PA133 air pump and HC7206 hose.

⁴⁾ IPH-1040 is complete set including RC-1010 cylinder, P392 hand pump and HC7206 hose.

C-Clamp, Arbor and Bench Presses



▲ RC-308 cylinder mounted in A-330 Arbor Press powered by a PATG-Turbo Air pump for controlled pressing of bearings for sprockets of weaving machines. The V-152 Pressure Relief Valve controls the pressing force.

A Series



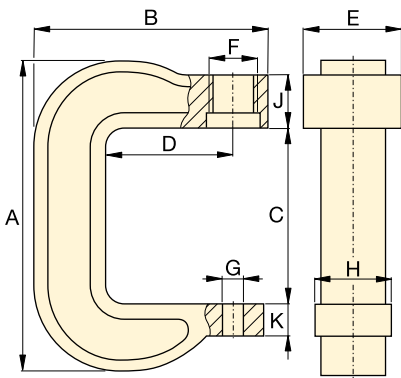
Capacity:
5 - 30 ton

Maximum Daylight x Width:
419 x 381 mm

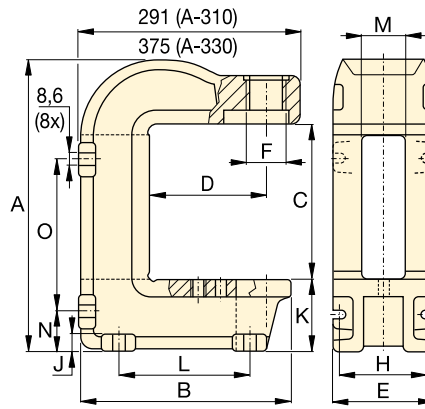
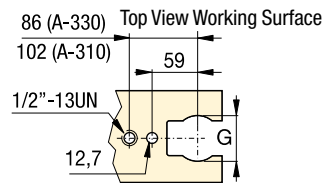
Maximum Operating Pressure:
700 bar



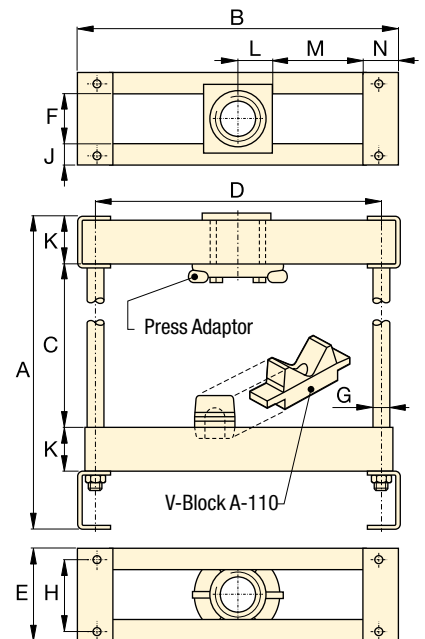
IMPORTANT!
For high-cycle production applications, the C-Clamp and Arbor presses should be limited to 50% of their capacity.




C-Clamp Presses
A-205, A-210, A-220



Arbor Presses
A-310, A-330



Bench Press Frame
A-258, IPA-1022, IPH-1040

| Press Dimensions (mm) | | | | | | | | | | | | | |  | Press Model Number |
|-----------------------|-----|-----|-----|-----|---|----|-----|----|-----|-----|----|----|-----|---|------------------------------|
| A | B | C | D | E | F | G | H | J | K | L | M | N | O | | |
| 291 | 203 | 165 | 95 | 73 | 1½" -16 UN | 26 | 51 | 66 | 25 | – | – | – | – | 7 | A-205 |
| 406 | 283 | 228 | 152 | 83 | 2¼" -14 UN | 26 | 76 | 64 | 41 | – | – | – | – | 17 | A-210 |
| 540 | 346 | 305 | 152 | 108 | 3 ⁵ / ₁₆ " -12 UN | 26 | 95 | 70 | 44 | – | – | – | – | 38 | A-220 |
| 414 | 281 | 227 | 152 | 135 | 2¼" -14 UN | 63 | 122 | 19 | 97 | 175 | 65 | 54 | 219 | 27 | A-310 |
| 557 | 353 | 260 | 152 | 178 | 3 ⁵ / ₁₆ " -12 UN | 63 | 140 | 25 | 165 | 203 | 67 | 98 | 276 | 86 | A-330 |
| 651 | 476 | 419 | 406 | 146 | 82 | 25 | 114 | 31 | 69 | – | – | – | – | 48 | A-258 |
| 651 | 476 | 419 | 406 | 146 | 82 | 25 | 114 | 31 | 69 | 35 | 69 | 35 | – | 64 | IPA-1022³⁾ |
| 651 | 476 | 419 | 406 | 146 | 82 | 25 | 114 | 31 | 69 | 35 | 69 | 35 | – | 61 | IPH-1040⁴⁾ |