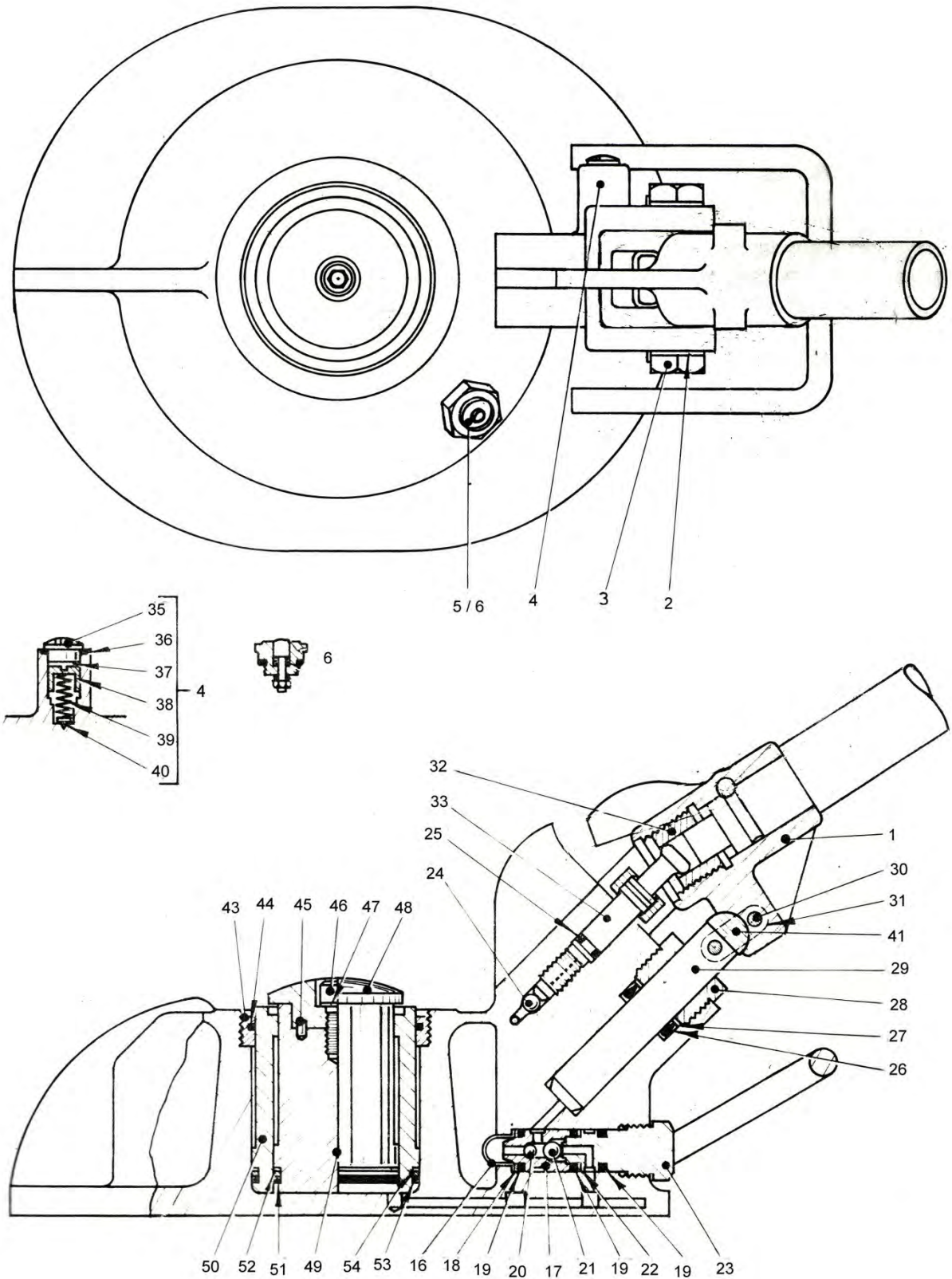


Item	Zwicky 1054 Pan Jack
Drawing Set	WRPD 006
Issue Date	January 2013
Page	1 of 2
Issue No	1



Item	Zwicky 1054 Pan Jack
Drawing Set	WRPD 006
Issue Date	January 2013
Page	2 of 2
Issue No	1

Item	Part No	Description	Quantity
1	JF 574	Saddle	1
2	SP 41P	Lock Washer	2
3	JB 152	Trunion Screw	2
4	JF536/1	Overload Valve Assembly	1
5	J 667	Air Filler Washer	1
6	JF 632	Air Filler Screw	1
15	JF 345/1	Valve Assembly	1
16	JF 345	Filter	1
17	JF 518	Valve Cage	1
18	JF 551	Skid Ring	1
19	JF 620	O Ring	3
20	JE 640	Suction Ball Valve	1
21	KO 391	Delivery Ball Valve	1
22	JF 521	Skid Ring	1
23	JF 519	Valve Plug	1
24	J 549	Release Valve Ball	1
25	JA 351	O Ring	1
26	JF 353	Pump Seal Ring	1
27	JF 347	Pump Seal Backing Washer	1
28	JF 545	Pump Gland Nut	1
29	JF 527	Pump Plunger	1
30	JF 328B	Pump Plunger Pin	2
31	JF 327	Pump Plunger Link	2
32	JB 140	Turnscrew	1
33	JF 346	Release Plunger	1
34			
35	JF 533	Overload Plug	1
36	OR 674	O Ring	1
37	JF 536	Lead Seal	1
38	JF 532	Valve Adjuster	1
39	K 143	Overload Valve Spring	1
40	JF 531	Valve Plunger	1
41	JF 553/1	Pump Saddle Shoe	1
43	LG 4191	Bottom Ram Collar	1
44	JF 323	Wiper Ring	1
45	JF 568	Dowel Pin	1
46	JF 623	Cap Head Screw	1
47	JF 623A	Washer	1
48	JF 168	Jack Head	1
49	JF 169	Top Ram	1
50	JF 171	Bottom Ram	1
51	JF 621	O Ring	1
52	H 308	Leather Washer	2
53	JF 622	O Ring	1
54	JF 176	Leather Washer	2