



# TANGYE

Lightweight Jacks & Pumps

Product Catalogue 2012



## General Information

The Hydralite range is the most popular out of the Tangye jacks; the lightweight jacks are designed to lift, lower, manoeuvre and position heavy loads with maximum safety. The Hydralite range of jacks have the following features:

**Portable:** extensive use of high strength aluminium alloys has minimised jack weight for improved portability.

**Reliable:** All moving parts are totally enclosed and lubricated by hydraulic oil. Their long working life makes the Hydralite jacks the ideal choice for many rental operations.

**Safe:** **Overload Protection:** a high pressure relief valve prevents lifting of loads in excess of the jack's capacity while locking overloads applied to the ram.

**Overstroke Protection:** Hydralite jacks are fitted with a fail-safe positive stop mechanism which prevents overstroking of the ram by venting oil to the reservoir when the stroke limit is reached.

**Load Sustaining:** jack models can be fitted with a load retaining ring so that the load can be sustained for a significant time and there is no need to rely on the hydraulic fluid pressure.

**Quality Assurance:** every jack is serial numbered, fully tested and certified.

**Minimum Operator Effort:** full capacity is within the capability of one man. The short lever is lightweight and requires little space for operation.

**Easy and Versatile Operation:** operator control is provided by the hexagon key in the operating lever which smoothly controls the release valve. On most jacks the operating lever can be fitted in any one of the three positions in the quadrant to obtain the most suitable operating height. The jacks can be used vertically (on the base) or horizontally (on the face) due to the carefully positioned breather.

**Low Clearance:** claw models of most jacks are available for lifting loads with low ground clearance. All jacks used with a claw must be fitted with an extended base option. The load applied to the claw must not extend the maximum specification tables and marked on the claw. A claw should not be used on a screwed ram.

**Wide Range:** capacities from 20 tonne to 100 tonne with stroke options and claw and screwed ram features.

**Easy to Maintain:** the design of the jack makes inspection and component replacement uncomplicated. Main ram seal is changed by simply withdrawing the ram from the top of the jack. Refer to service instruction.

The Hydralite jacks have different stroke options:

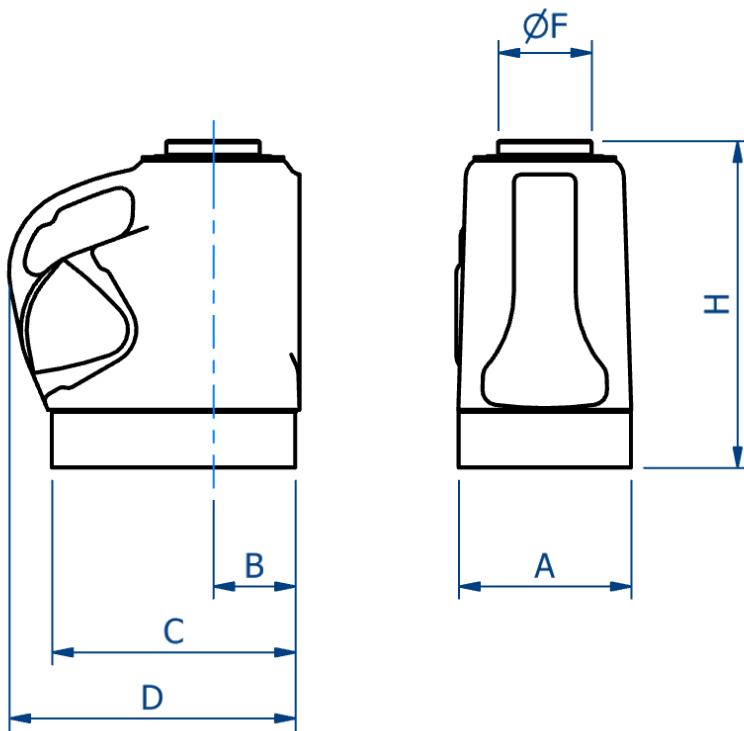
**Plain ram:** For standard lifting applications.

**Claw lift:** claw models are available for lifting loads with low ground clearance. All claw jacks have an extended base.

**Screwed ram:** jacks with a screwed ram and load retaining ring should be selected when loads are to be sustained for a significant time.



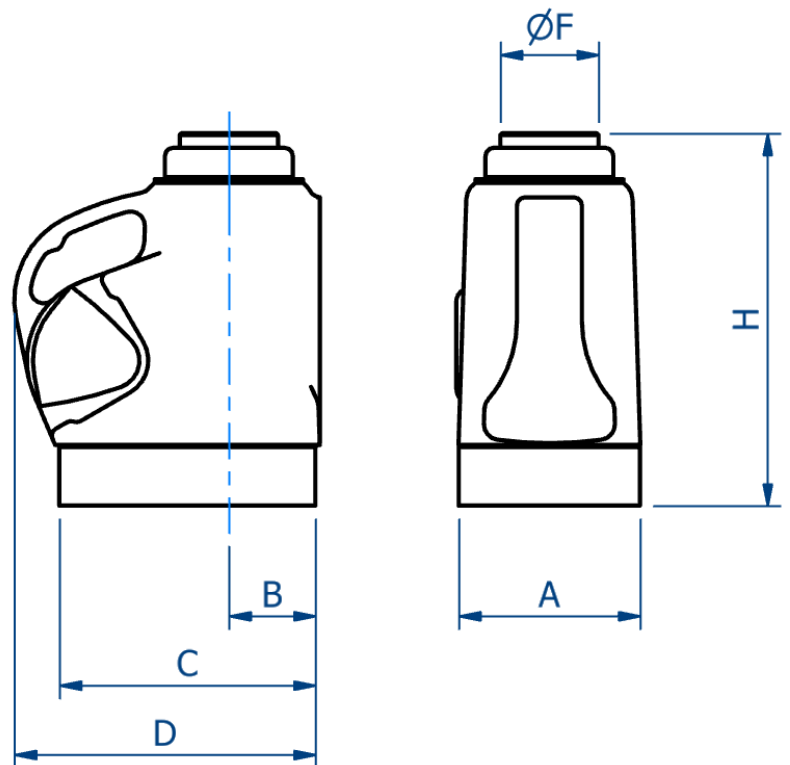
## 6" Plain Ram



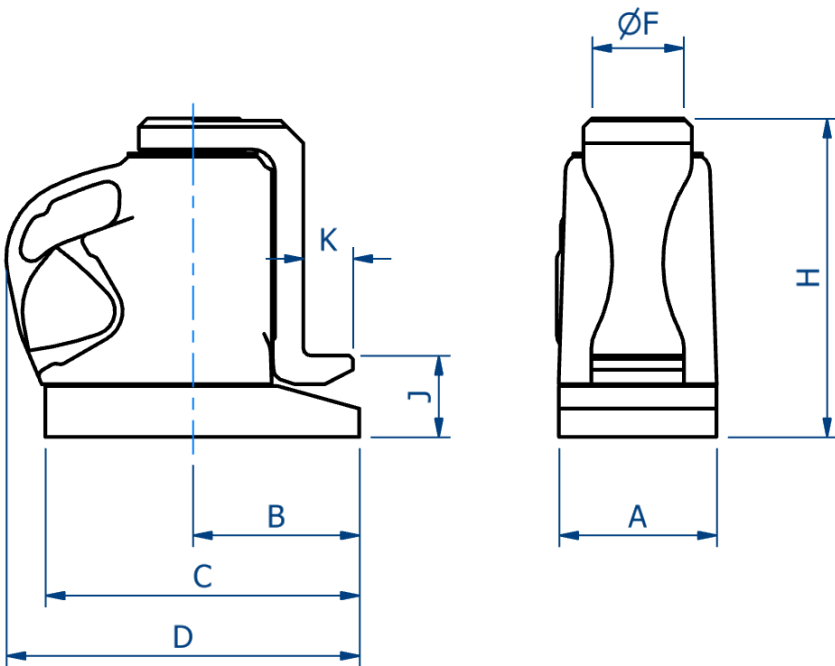
Product code	PS620		PS630		PS660	
Ram Capacity	20 Tonnes		30 Tonnes		60 Tonnes	
Lift Per Stroke	1.1 mm	0.042 ins	0.70 mm	0.026 ins	0.3 mm	0.013 ins
Weight of Jack	10.90 kgs	24 lbs	15.40 kgs	34 lbs	27.4 kgs	61 lbs
Working Pressure	682 Bars	9,900 PSI	644 Bars	9,350 PSI	644 Bars	9,350 PSI
Effort on Lever (max)	54 kgs	120 lbs	52 kgs	115 lbs	52 kgs	115 lbs
Oil Capacity	0.64 Litres	1.13 Pints	0.88 Litres	1.5 Pints	1.71 Litres	3 Pints
Dimensions	mm	ins	mm	ins	mm	ins
A - Width	121	4.75	140	5.5	190	7.5
B - Centre Ram To Face	60	2.38	70	2.75	92	3.625
C - Base Length	178	7	197	7.75	251	9.875
D - Overall Depth	214	8.44	235	9.25	286	11.25
F - Ram Diameter	60	2.38	76	3	108	4.25
H - Closed Height	263	10.38	263	10.375	293	11.562
Stroke	152	6	152	6	152	6
Service Kit Number	133506		133511		133518	



## 6" Screwed Ram



Product code	PS620S		PS630S		PS660S	
Ram Capacity	20Tonnes		30Tonnes		60Tonnes	
Lift Per Stroke	1.1 mm	0.042 ins	0.70 mm	0.026 ins	0.3 mm	0.013 ins
Weight of Jack	10.90 kgs	24 lbs	15.40 kgs	34 lbs	27.4 kgs	61 lbs
Working Pressure	682 Bars	9,900 PSI	644 Bars	9,350 PSI	644 Bars	9,350 PSI
Effort on Lever (max)	54 kgs	120 lbs	52 kgs	115 lbs	52 kgs	115 lbs
Oil Capacity	0.64 Litres	1.13 Pints	0.88 Litres	1.5 Pints	1.71 Litres	3 Pints
Dimensions	mm	ins	mm	ins	mm	ins
A - Width	121	4.75	140	5.5	190	7.5
B - Centre Ram To Face	60	2.38	70	2.75	92	3.625
C - Base Length	178	7	197	7.75	251	9.875
D - Overall Depth	214	8.44	235	9.25	286	11.25
F - Ram Diameter	60	2.38	76	3	108	4.25
H - Closed Height	289	11.38	292	11.5	330	13
Stroke	152	6	152	6	152	6
Service Kit Number	133930		133932		133935	



Product code	PS620C		PS630C		PS660C	
Ram Capacity	20 Tonnes		30 Tonnes		60 Tonnes	
Claw Capacity	8 Tonnes		12 Tonnes		24 Tonnes	
Lift Per Stroke	1.1 mm	0.042 ins	0.70 mm	0.026 ins	0.3 mm	0.013 ins
Weight of Jack	10.90 kgs	24 lbs	15.40 kgs	34 lbs	27.4 kgs	61 lbs
Weight of Claw	3.6 kgs	8 lbs	4.90 kgs	11 lbs	15.7 kgs	34.5 lbs
Working Pressure	682 Bars	9,900 PSI	644 Bars	9,350 PSI	644 Bars	9,350 PSI
Effort on Lever (max)	54 kgs	120 lbs	52 kgs	115 lbs	52 kgs	115 lbs
Oil Capacity	0.64 Litres	1.13 Pints	0.88 Litres	1.5 Pints	1.71 Litres	3 Pints
Dimensions	mm	ins	mm	ins	mm	ins
A - Width	121	4.75	140	5.5	190	7.5
B - Centre Ram To Claw	125	4.94	143	5.265	181	7.125
C - Base Length	214	8.44	235	9.25	286	11.25
D - Overall Depth	246	9.69	273	10.75	339	13.375
F - Ram Diameter	60	2.38	76	3	108	4.25
H - Closed Height	276	10.88	281	11.062	327	12.875
J - Base to Claw	67	2.63	73	2.875	73	2.875
K - Claw Depth	41	1.61	45	1.77	48	1.89
Stroke	152	6	152	6	152	6
Service Kit Number	133506		133511		133518	

