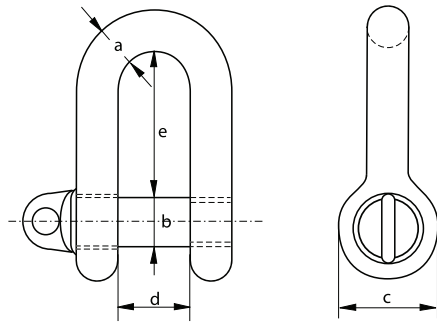




Large Dee Shackles with type A screw collar pin

- **Material** : body and pin high tensile steel
- **Safety Factor** : MBL equals 5 x WLL
- **Standard** : B.S. 3032 table 2 - 1958
- **Finish** : self colour or hot dipped galvanised
- **Certificates** : as standard a works certificate is supplied
also upon request a certificate of basic raw material
and/or an EC declaration of conformity



working load limit	diameter bow	diameter pin	diameter eye	inside width	inside length	weight each
tons	a inch	b inch	c inch	d inch	e inch	kg
0.25	1/4	3/8	3/4	1/2	1	0.06
0.50	3/8	1/2	1	3/4	1 1/2	0.16
0.75	1/2	5/8	1 1/4	1 1/8	2 1/8	0.35
1.50	5/8	3/4	1 1/2	1 1/4	2 1/2	0.63
2.00	3/4	7/8	1 3/4	1 1/2	2 7/8	1.00
3.00	7/8	1	2	1 3/4	3 1/4	1.54
3.75	1	1 1/8	2 1/4	2	3 3/4	2.21
5.00	1 1/8	1 1/4	2 1/2	2 1/8	4 1/8	3.11
6.00	1 1/4	1 3/8	2 3/4	2 3/8	4 1/2	4.33
7.00	1 3/8	1 1/2	3	2 5/8	5	5.33
9.50	1 1/2	1 3/4	3 1/2	2 3/4	5 3/8	8.46
11.25	1 5/8	1 7/8	3 3/4	3	5 3/4	10.48
13.00	1 3/4	2	4	3 1/4	6 1/8	12.66
14.25	1 7/8	2 1/8	4 1/4	3 5/8	7	15.34
16.25	2	2 1/4	4 1/2	3 7/8	7 3/8	18.50
18.00	2 1/8	2 3/8	4 3/4	4 1/8	7 3/4	23.80
20.00	2 1/4	2 1/2	5	4 1/4	8 1/4	28.60