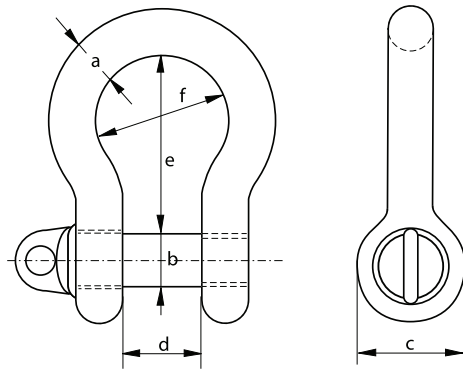




Large Bow Shackles with type A screw collar pin

- **Material** : body and pin high tensile steel
- **Safety Factor** : MBL equals 5 x WLL
- **Standard** : B.S. 3032 table 3 - 1958
- **Finish** : self colour or hot dipped galvanised
- **Certificates** : as standard a works certificate is supplied
also upon request a certificate of basic raw material
and/or an EC declaration of conformity



working load limit	diameter bow	diameter pin	diameter eye	inside width	inside length	width bow	weight each
tons	a inch	b inch	c inch	d inch	e inch	f inch	kg
0.15	1/4	3/8	3/4	1/2	1 1/8	3/4	0.08
0.45	3/8	1/2	1	5/8	1 5/8	1	0.18
0.75	1/2	5/8	1 1/4	7/8	2 1/8	1 1/4	0.34
1.25	5/8	3/4	1 1/2	1 1/8	2 3/4	1 5/8	0.65
2.00	3/4	7/8	1 3/4	1 3/8	3 3/8	2	1.08
2.75	7/8	1	2	1 5/8	3 7/8	2 1/4	1.80
3.75	1	1 1/8	2 1/4	1 3/4	4 1/4	2 1/2	2.46
4.75	1 1/8	1 1/4	2 1/2	2	4 7/8	2 7/8	3.47
5.75	1 1/4	1 3/8	2 3/4	2 1/4	5 3/8	3 1/4	4.56
7.25	1 3/8	1 1/2	3	2 1/2	6	3 1/2	6.07
8.50	1 1/2	1 3/4	3 1/2	2 3/4	6 5/8	3 7/8	8.35
9.50	1 5/8	1 7/8	3 3/4	3	7 3/8	4 3/8	11.81
11.50	1 3/4	2	4	3 3/8	8 1/8	4 3/4	14.32
13.00	1 7/8	2 1/8	4 1/4	3 5/8	8 3/4	5 1/8	17.03
15.00	2	2 1/4	4 1/2	3 7/8	9 3/8	5 1/2	20.00