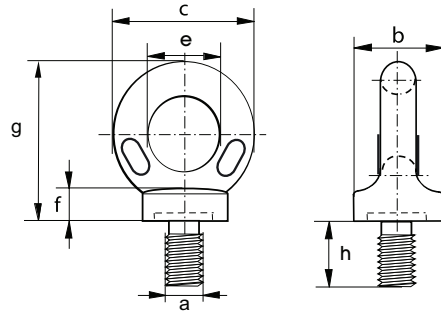


Collared Eyebolts

metric coarse thread



- **Material** : BS970-080A27 hardened and tempered
- **Safety Factor** : MBL equals 5 x SWL
- **Standard** : B.S. 4278 - table 1 - 1984
- **Finish** : self colour, electro-galvanised upon request
- **Certificates** : this product is supplied with a works certificate as standard
- **Note** : upon request a basic raw material and/or EC Declaration of Conformity is available

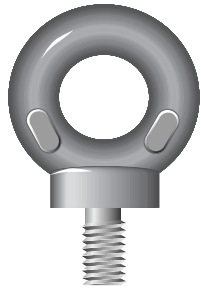


safe working load	diameter thread	diameter base	diameter eye outside	diameter eye inside	thickness collar	height	thread length	weight each
tonnes	a mm	b mm	c mm	e mm	f mm	g mm	h mm	kg
0.10	6	22	33	15	7	36	18	0.06 *
0.15	8	22	33	15	7	36	18	0.06 *
0.25	10	22	33	15	7	36	18	0.06 *
0.40	12	22	33	15	7	36	18	0.06
0.50	14	29	44	20	10	48	23	0.15 *
0.80	16	29	44	20	10	48	23	0.15
1.00	18	36	52	24	12	58	28	0.27 *
1.60	20	40	59	27	14	65	32	0.38
1.60	22	45	64	30	14	73	35	0.54 *
2.50	24	52	77	35	17	84	40	0.85
2.50	27	58	85	39	20	94	46	1.13 *
4.00	30	65	96	44	22	106	51	1.62
4.00	33	72	106	48	24	117	56	2.37 *
6.30	36	81	118	54	27	131	63	3.12
6.30	39	86	123	57	29	137	67	3.81 *
8.00	42	101	148	68	34	164	79	6.27 *
8.00	45	101	148	68	34	164	79	6.45 *
10.00	48	101	148	68	34	164	79	6.51
12.50	52	115	168	76	38	186	89	9.58
16.00	56	128	188	86	43	208	100	12.99
20.00	64	144	212	96	48	234	112	18.20

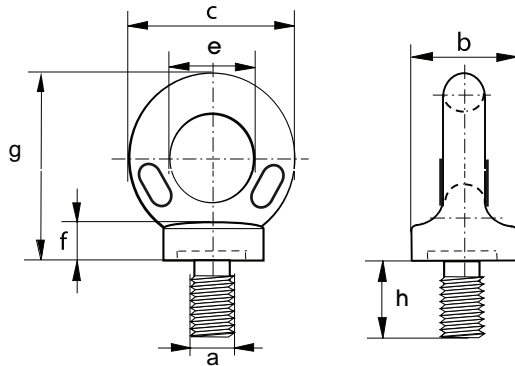
sizes marked * are additional and proportional to the specification

Collared Eyebolts

BSW thread



- **Material** : BS970-080A27 hardened and tempered
- **Safety Factor** : MBL equals 5 x SWL
- **Standard** : B.S. 4278 - table 4 - 1984
- **Finish** : self colour, electro-galvanised upon request
- **Certificates** : this product is supplied with a works certificate as standard
- **Note** : upon request a basic raw material and/or EC Declaration of Conformity is available
Also available with UNC, BSF and UNF threads



safe working load	diameter thread	diameter base	diameter eye outside	diameter eye inside	thickness collar	height	thread length	weight each
tonnes	a inch	b mm	c mm	e mm	f mm	g mm	h mm	kg
0.10	1/4	22	33	15	7	36	18	0.06 *
0.15	5/16	22	33	15	7	36	18	0.06 *
0.25	3/8	22	33	15	7	36	18	0.06
0.50	1/2	29	44	20	10	48	23	0.15
0.90	5/8	36	52	24	12	58	28	0.27
1.40	3/4	45	66	30	14	73	35	0.54
2.00	7/8	52	77	35	17	84	40	0.85
2.75	1	58	85	39	20	94	46	1.13
3.50	1 1/8	65	96	44	22	106	51	1.62
4.50	1 1/4	72	106	48	24	117	56	2.37
6.50	1 1/2	81	118	54	27	131	63	3.12 *
9.00	1 3/4	101	148	68	34	164	79	6.27
12.00	2	115	168	76	38	186	89	9.58

sizes marked * are additional and proportional to the specification