

Item	Camlok CR1000 Rail Clamp
Drawing Set	WRPD 016
Issue Date	January 2013
Page	1 of 1
Issue No	1

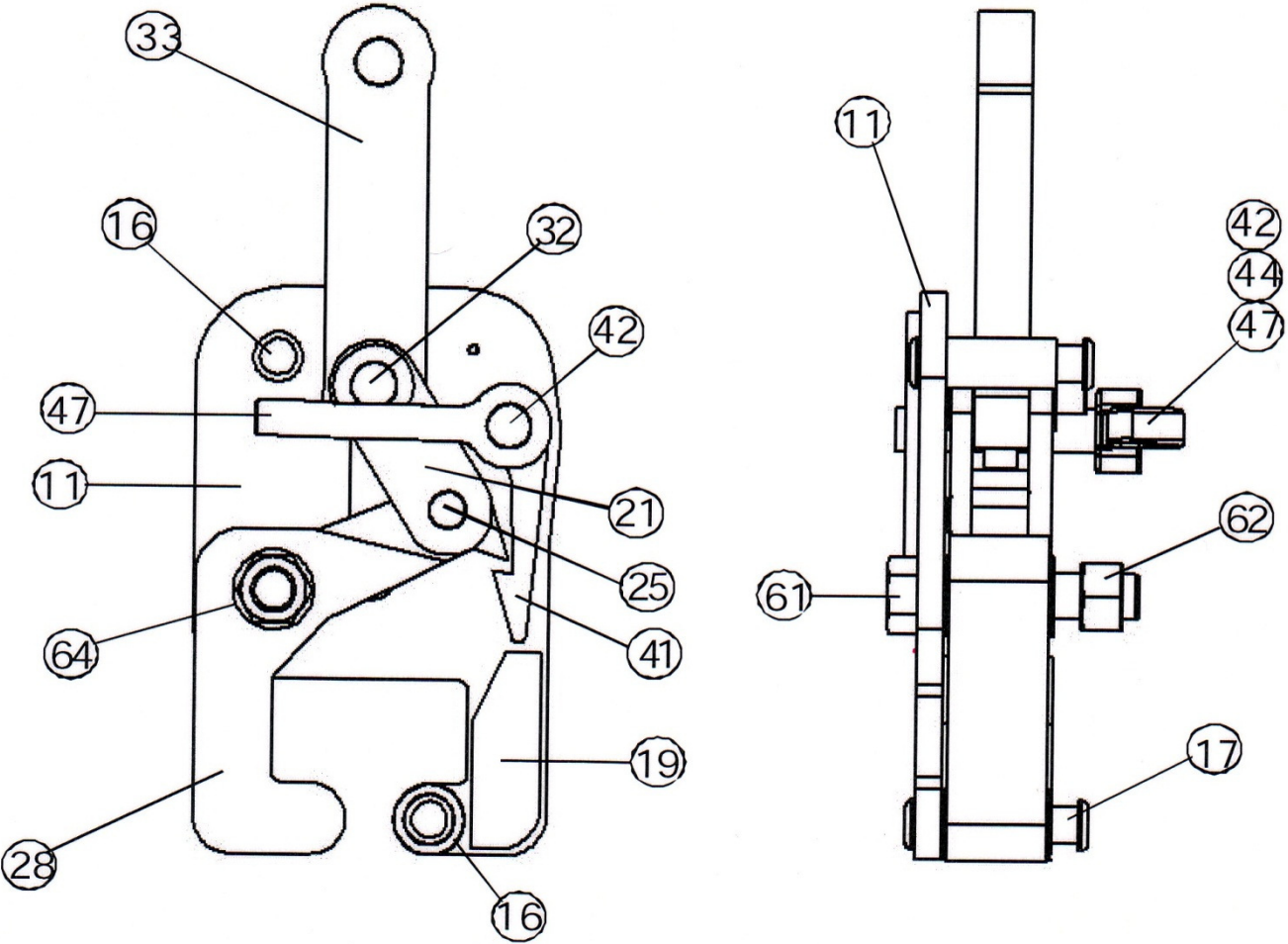


Illustration No	Description	Quantity
11	Shell Plate	2
16	Spacer Plate	2
17	Jaw Roller	1
19	Spacer Block	1
21	Internal Link	2
25	Internal Pin	1
28	Jaw	1
32	Hookring Pin	1
33	Chain Link	1
41	Pawl	1
42	Handle Shaft	1
44	Roll Pin	2
47	Handle	1
61	Jaw Bolt	1
62	Jaw Nut	1
64	Spacer Washer	2